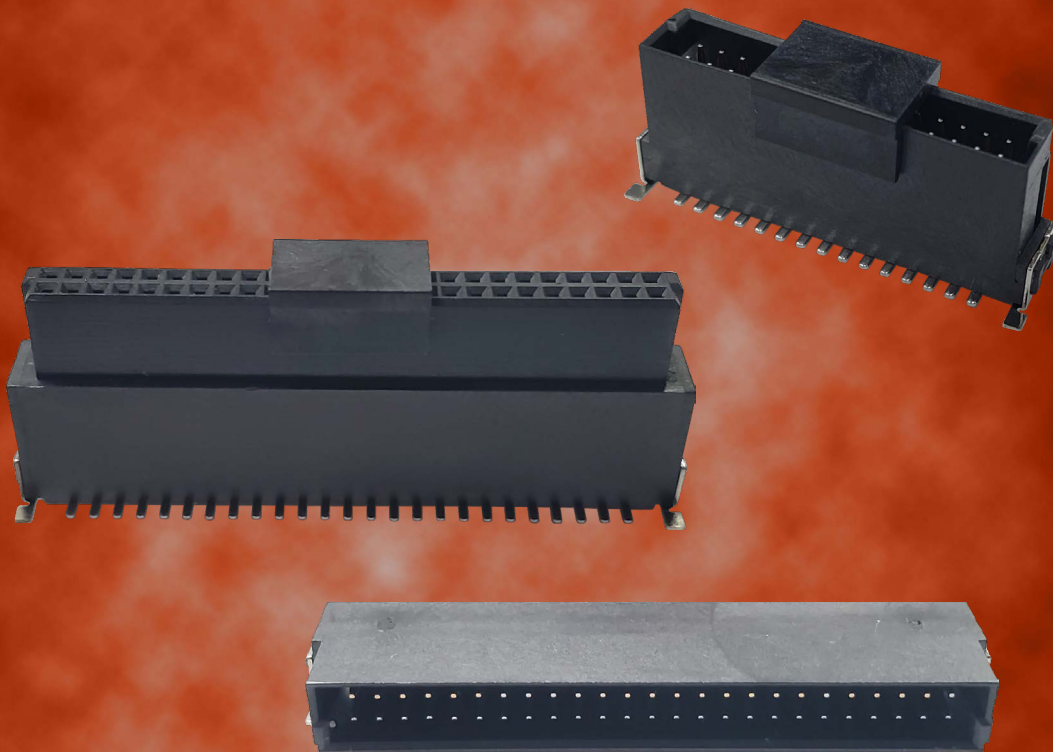


# ADAME TECH



1.27MM BOARD-TO-BOARD STACKING AND  
COPLANAR CONNECTORS (ESMC SERIES)



Adam Tech's 1.27mm Board-to-Board Stacking and Coplanar Connectors are an optimal board stacking solution. The 1.27mm pitch enables PCB connections in parallel, perpendicular, or side-by-side arrangements. Their secure mating allows for PCB connection distances ranging from .315" [8.0mm] to .728" [18.5mm]. These connectors are available in both vertical and right angle mounting orientation, with the vertical connectors offered in low, mid, or high profile. They are ideal for products in various industries including consumer electronics, industrial, and medical.

#### APPLICATIONS:

- Computers
- Telecommunications
- Industrial control systems
- Medical devices
- Automotive



#### FEATURES AND BENEFITS:

- .050" [1.27mm] pitch
- 12, 16, 20, 26, 30, 32, 40, 50, 68, or 80 contacts
- Parallel, perpendicular, and side-by-side PCB connection arrangements
- PCB connection distances: .315" [8.0mm] to .728" [18.5mm]
- High reliability precision formed contact design
- Angular inclination tolerance (longitudinal: 3.9°, transverse: 2.6°)
- High temperature thermoplastic insulator
- Operating temperature: -55°C to +125°C
- RoHS compliant

#### ESMC-M-XX-SGR-SMT



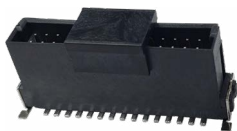
- Right angle plug
- Multiple pin counts

#### ESMC-F-XX-SGR-SMT



- Right angle socket
- Multiple pin counts

#### ESMC-M-XX-SGS-SMT-X-PP



- Vertical plug
- Multiple pin counts
- Low, mid, and high profile options
- Pick & place cap

#### ESMC-F-XX-SGS-SMT-X-PP



- Vertical socket
- Multiple pin counts
- Low, mid, and high profile options
- Pick & place cap

## SPECIFICATIONS:

### Material:

Insulator: High temp thermoplastic, rated UL 94V-0  
 Insulator color: Black  
 Contacts: Phosphor bronze  
 Board lock: Brass, tin plated  
 Plating:  
 Gold flash over nickel underplate on contact area  
 Tin over nickel underplate on solder tails

### Electrical:

Current rating: 1.2 A max  
 Contact resistance: 25 mΩ max  
 Insulation resistance: 1000 MΩ min  
 Withstanding voltage: 500 VAC for 1 minute

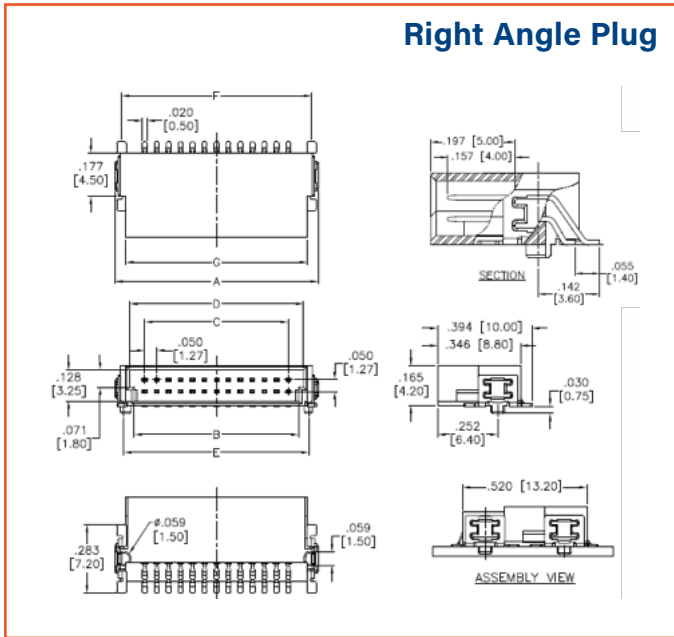
### Temperature Rating:

Operating temperature: -55°C to +125°C

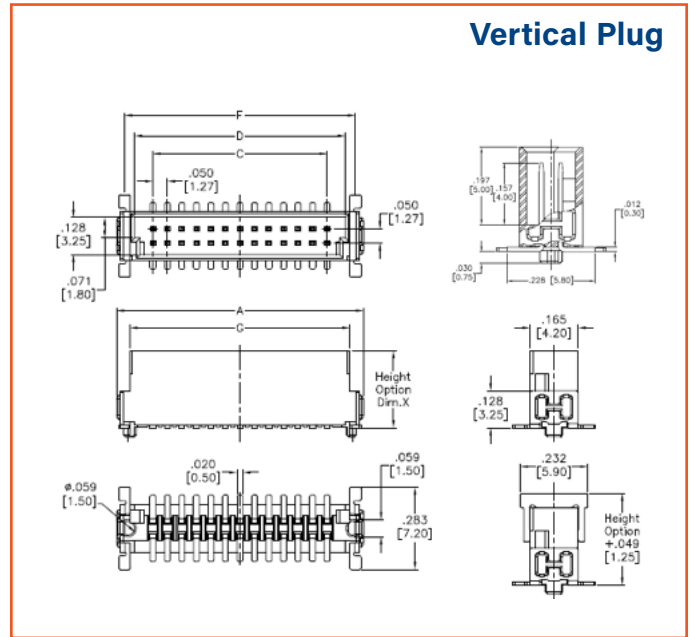
### Environmental:

Lead free, RoHS compliant

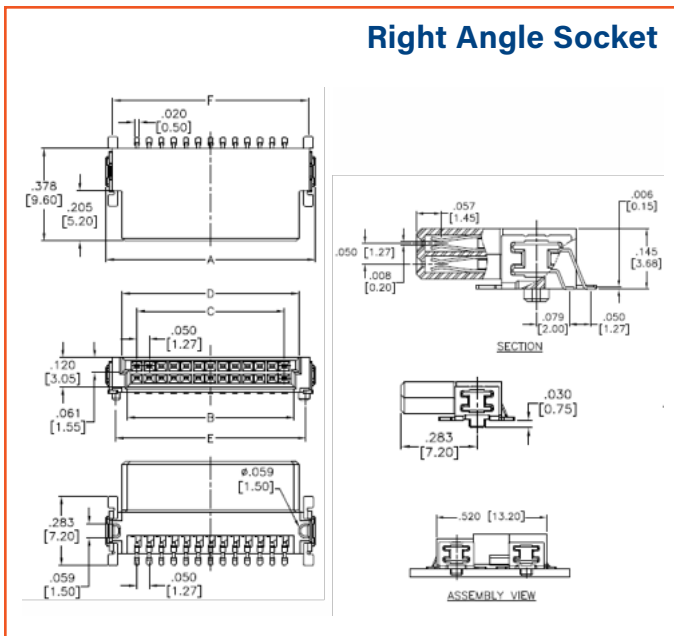
### Right Angle Plug



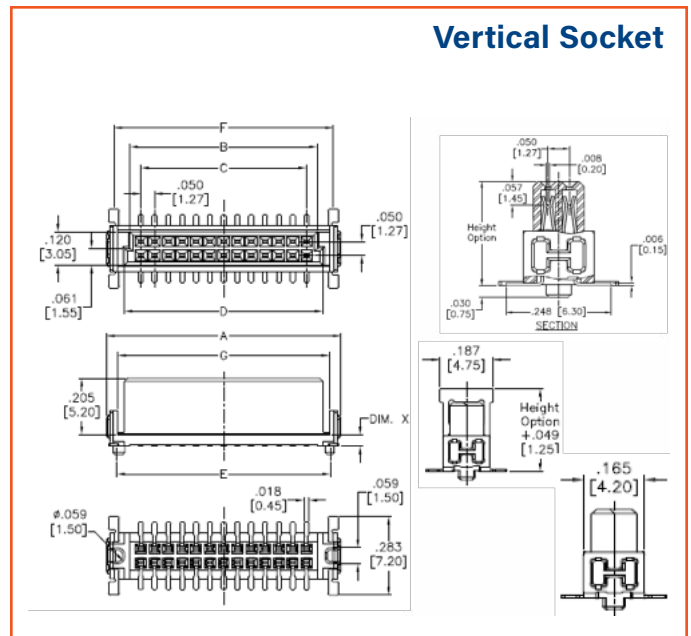
### Vertical Plug



### Right Angle Socket



### Vertical Socket



# ADAM TECH

## ADAM TECH USA

(WORLDWIDE HQ)

909 Rahway Ave.

Union, NJ 07083

U.S.A.

Tel: 908-687-5000

Fax: 908-687-5710

## ADAM TECH EUROPE

Marcel Schwob

Ludwig-Erhard-Allee 10

76131 Karlsruhe, Germany

Tel: +49 (0) 176 47286567

marcel.schwob@adam-tech.com

## ADAM TECH SOUTH AMERICA

Cesar Nakajune

Sao Paulo, Brazil

Tel: 55-11-2376-2983

cesar.nakajune@seed4b.com

## ADAM TECH TAIWAN

9F-3, No. 10, Lane 609, Sec. 5, Chongxin Rd.

Sanchong Dist., New Taipei City 241

Taiwan (R.O.C.)

Tel: 886-2 2999 8028

Fax: 886-2 2999 8062

## ADAM TECH CHINA

Yingfeng 1st Road, Dajingtou Community

Dalang Town, Dongguan City

Guangdong Province

China (P.R.C.)

Tel: 886-2 2999 8028

Fax: 886-2 2999 8062

To contact us, scan the QR  
code to reach our website  
inquiry form.



[adam-tech.com](http://adam-tech.com)