

1.27mm Board-to-Board Stacking and Coplanar Connectors - ESMC Series



Adam Tech's 1.27mm Board-to-Board Stacking and Coplanar Connectors are an optimal board stacking solution. The 1.27mm pitch enables PCB connections in parallel, perpendicular, or side-by-side arrangements. Their secure mating allows for PCB connection distances ranging from .315" [8.0mm] to .728" [18.5mm]. These connectors are available in both vertical and right angle mounting orientation, with the vertical connectors offered in low, mid, or high profile. They are ideal for products in various industries including consumer electronics, industrial, and medical.

Applications:

- Computers
- Telecommunications
- Industrial control systems
- Medical devices
- Automotive

Features and Benefits:

- .050" [1.27mm] pitch
- 12, 16, 20, 26, 30, 32, 40, 50, 68, or 80 contacts
- Parallel, perpendicular, and side-by-side PCB connection arrangements
- PCB connection distances: .315" [8.0mm] to .728" [18.5mm]
- High reliability precision formed contact design
- Angular inclination tolerance (longitudinal: 3.9°, transverse: 2.6°)
- High temperature thermoplastic insulator
- Operating temperature: -55°C to +125°C
- RoHS compliant

ESMC-M-XX-SGR-SMT



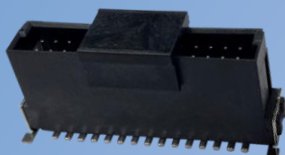
- Right angle plug
- Multiple pin counts

ESMC-F-XX-SGR-SMT



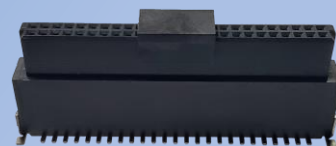
- Right angle socket
- Multiple pin counts

ESMC-M-XX-SGS-SMT-X-PP



- Vertical plug
- Multiple pin counts
- Low, mid, and high profile options
- Pick & place cap

ESMC-F-XX-SGS-SMT-X-PP



- Vertical socket
- Multiple pin counts
- Low, mid, and high profile options
- Pick & place cap

Specifications

Material:

Insulator: High temp thermoplastic, rated UL 94V-0

Insulator color: Black

Contacts: Phosphor bronze

Board lock: Brass, tin plated

Plating:

Gold flash over nickel underplate on contact area

Tin over nickel underplate on solder tails

Electrical:

Current rating: 1.2 A max

Contact resistance: 25 mΩ max

Insulation resistance: 1000 MΩ min

Withstanding voltage: 500 VAC for 1 minute

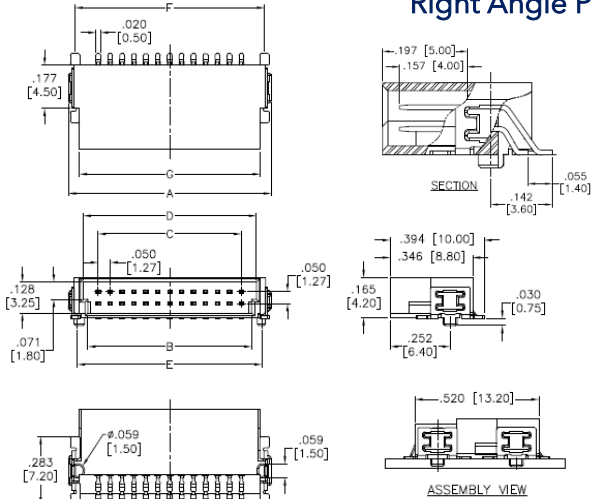
Temperature Rating:

Operating temperature: -55°C to +125°C

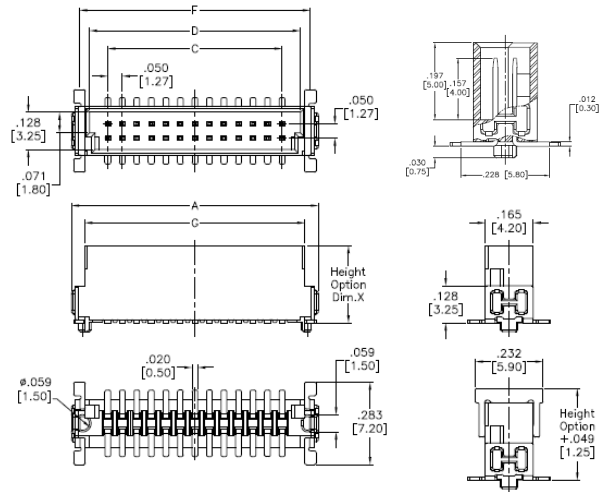
Environmental:

Lead free, RoHS compliant

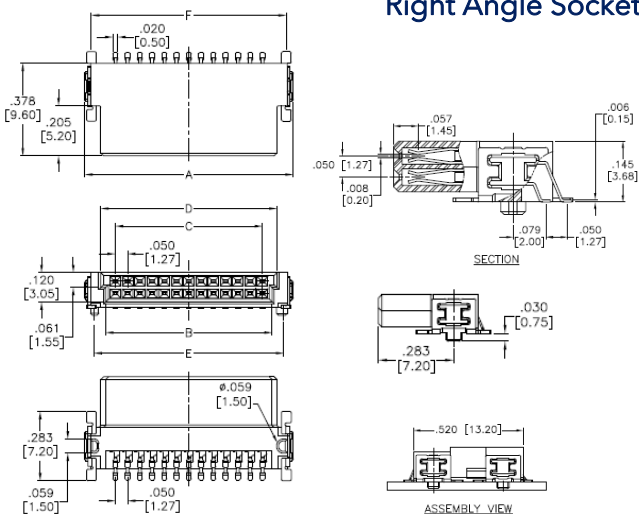
Right Angle Plug



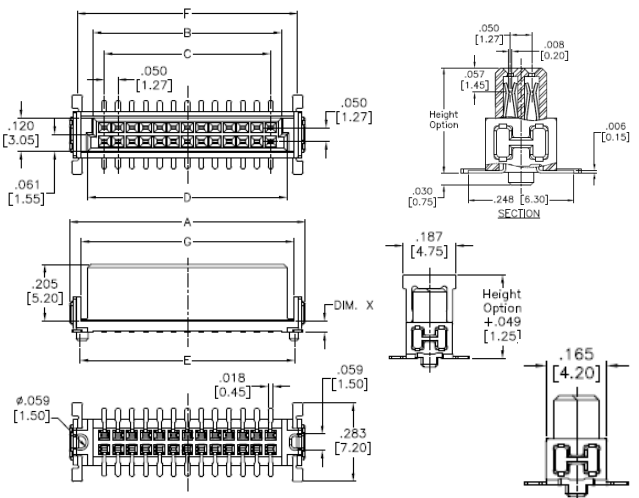
Vertical Plug



Right Angle Socket



Vertical Socket



Adam Tech • USA

909 Rahway Ave.

Union, NJ 07083

Tel: 908.687.5000

Fax: 908.687.5710

Email: info@adam-tech.com

www.adam-tech.com

Adam Tech • TAIWAN

5F.-3, No.14, Ln. 609,

Sec. 5, Chongxin Rd., Sanchong Dist.

New Taipei City 241, Taiwan (R.O.C.)

Tel: 886-2 2999 8028

Email: sales@adam-tech.com

www.adam-tech.com.tw

