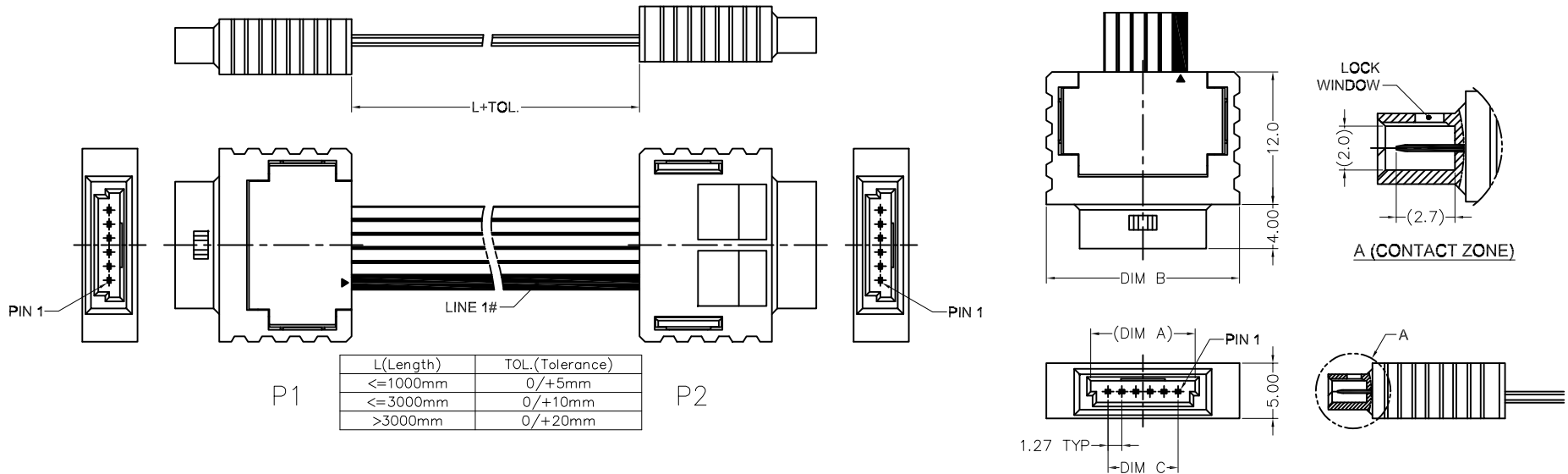


APPROVED: _____

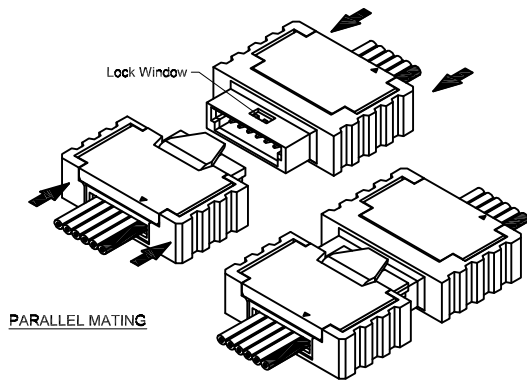
DATE: _____ TITLE: _____

Rev	AWO #	Description	Date	Apr
-		RELEASED	3/3/26	

CUSTOM CABLE ASSEMBLIES ARE NON-CANCELLABLE / NON-RETURNABLE



L(Length)	TOL.(Tolerance)
<=1000mm	0/+5mm
<=3000mm	0/+10mm
>3000mm	0/+20mm



CA-ESMC1-M-M-XX-XXXX-C1

EX:
 0150: 150mm
 0300: 300mm
 0500: 500mm
 1000: 1000mm
 Options
 (by custom design)

PIN NO.	DIM A	DIM B	DIM C
2	4.38	12.42	1.27
3	5.65	13.69	2.54
4	6.92	14.96	3.81
6	9.46	17.50	6.35
8	12.00	20.04	8.89
10	14.54	22.58	11.43
12	17.08	25.12	13.97

SPECIFICATIONS:

Connector:
 P1&P2 = 1.27 Pitch Single Row Solder Type Male Connector, (P/N: ESMC Series)

Housing: Thermoplastic, rated UL 94V-0
 Contact: Copper Alloy, Selective Gold Flash Plated

Cable:
 26 AWG, 1.27 Pitch
 Insulator: PVC

Electrical:
 Current rating: 2A
Temperature Rating:
 Operating temperature: -20°C to +105°C

Electrical Test:
 All Assemblies must be 100% Tested for
 Shorts, Open, Continuity, and Physical Appearance.

Environmental:
 Lead free, RoHS compliant



UNLESS OTHERWISE SPECIFIED ALL DIMENSIONS ARE MILLIMETERS. TOLERANCES: EXCEPT AS NOTED		
MM	.X ± 0.35 .XX ± 0.20 .XXX ± 0.10	ANGLE ± 2°
DRAWN	WY	3/3/26
CHECKED	RC	3/3/26
APPROVED		
CONFIDENTIAL AND PROPRIETARY <small>© Adam Tech. All rights reserved. This document contains confidential and proprietary information belonging to Adam Tech. It is provided solely for design and reference purposes by authorized parties. Any reproduction, distribution, display, or disclosure to third parties, in whole or in part, without the prior written consent of Adam Tech, is strictly prohibited. Adam Tech retains all rights, including copyright, trademark, trade secret, and all other intellectual property rights worldwide.</small>		



909 Rahway Avenue,
 Union, NJ 07083
 Phone: 908-687-5000
 adam-tech.com

TITLE 1.27 PITCH SINGLE ROW SOLDER TYPE MALE CABLE ASSEMBLY		
SIZE X	PART NO. CA-ESMC1-M-M-XX-XXXX-C1	REV. -
REF: S00242T	SCALE: NTS	SHEET 1 OF 1