

6

5

4

3

2

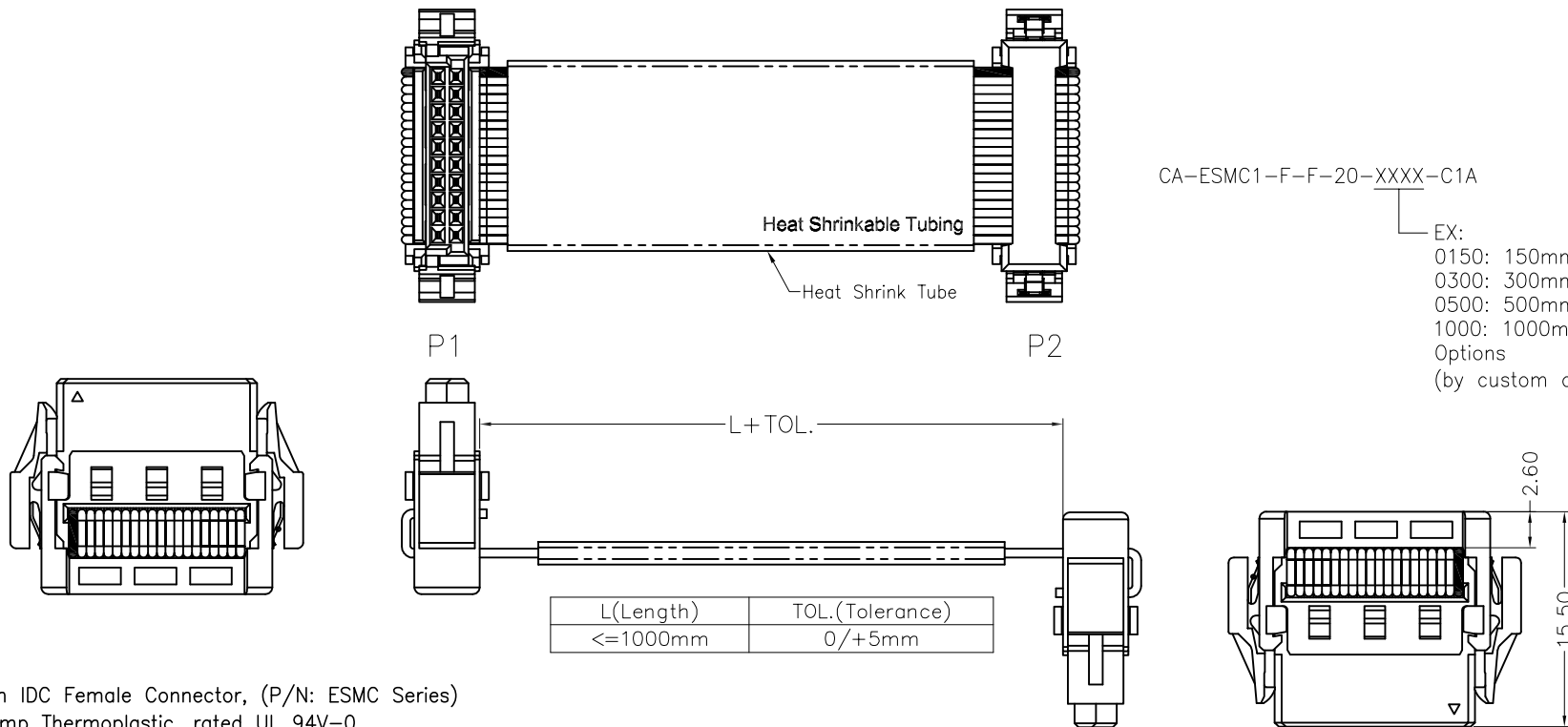
1

APPROVED: _____

DATE: _____ TITLE: _____

Rev	AWO #	Description	Date	Appr
-		RELEASED	3/19/26	
A		UPDATE SPEC.	5/20/26	WY/RL

CUSTOM CABLE ASSEMBLIES ARE NON-CANCELLABLE / NON-RETURNABLE



SPECIFICATIONS:

Connector:

P1&P2 = 1.27 Pitch IDC Female Connector, (P/N: ESMC Series)

Housing: (LCP)Hi-Temp Thermoplastic, rated UL 94V-0

Latch Cover: PA66, rated UL 94V-0

Strain Relief: PA66, rated UL 94V-0

Contact: Copper Alloy, Selective Gold Flash Plated

Spring: Stainless

Cable:

30 AWG, 0.635 Pitch

Insulator: PVC

Outer Diameter: 0.66±0.1mm

Electrical:

Current rating: 0.5A per contact Δ

Dielectric withstanding voltage: 600V (Heat Shrink Tube)

Mechanical:

Mating Force: \leq 0.8N (per-pin)

Separating Force: \geq 0.1N (per-pin)

Mating Cycle: 500 cycles

Temperature Rating:

Operating temperature: -20°C to +105°C (Cable)

Operating temperature: -55°C to +125°C (Heat Shrink Tube)

Electrical Test:

All Assemblies must be 100% Tested for Shorts, Open, Continuity, and Physical Appearance.

Environmental:

Lead free, RoHS compliant



UNLESS OTHERWISE SPECIFIED ALL DIMENSIONS ARE MILLIMETERS. TOLERANCES: EXCEPT AS NOTED			909 Rahway Avenue, Union, NJ 07083 Phone: 908-687-5000 adam-tech.com	
MM	.X ± 0.35 .XX ± 0.20 .XXX ± 0.10	ANGLE ± 2°		
DRAWN	WY	3/19/26		
CHECKED	RC	3/19/26		
APPROVED			TITLE 1.27 PITCH IDC CONNECTOR DUAL ROW, 20P FEMALE CABLE ASSEMBLY	
CONFIDENTIAL AND PROPRIETARY			SIZE X	REV. A
© Adam Tech. All rights reserved. This document contains confidential and proprietary information belonging to Adam Tech. It is provided solely for design and reference purposes by authorized parties. Any reproduction, distribution, display, or disclosure to third parties, in whole or in part, without the prior written consent of Adam Tech, is strictly prohibited. Adam Tech retains all rights, including copyright, trademark, trade secret, and all other intellectual property rights worldwide.			PART NO. CA-ESMC1-F-F-20-XXXX-C1A	REF: S00242T
			SCALE: NTS	SHEET 1 OF 2

6

5

4

3

2

1

6

5

4

3

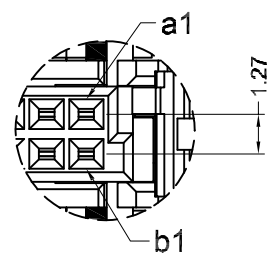
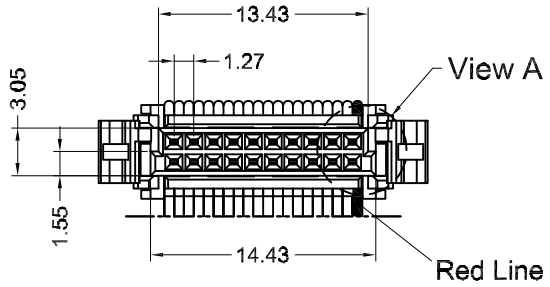
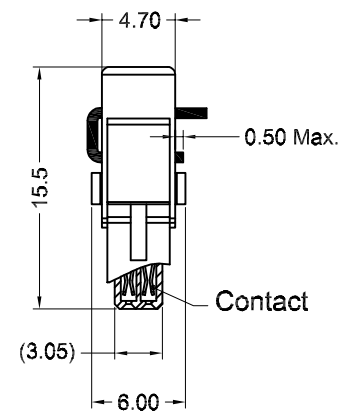
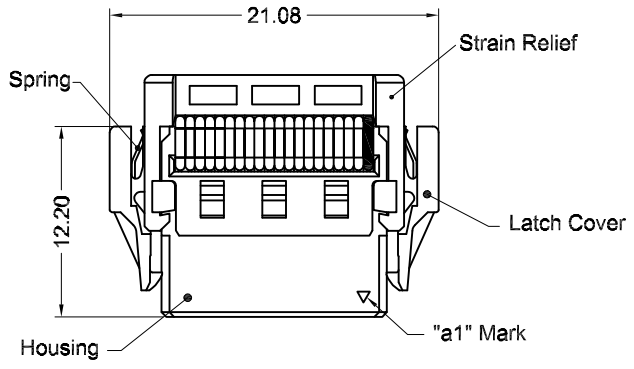
2

1

APPROVED: _____

DATE: _____ TITLE: _____

Rev	AWO #	Description	Date	Appr
SEE SHT 1 OF 2 FOR REVISION				



VIEW A

UNLESS OTHERWISE SPECIFIED ALL DIMENSIONS ARE MILLIMETERS. TOLERANCES: EXCEPT AS NOTED

MM	.X	± 0.35	ANGLE	± 2°
	.XX	± 0.20		
	.XXX	± 0.10		

DRAWN	WY	3/19/26
CHECKED	RC	3/19/26
APPROVED		

CONFIDENTIAL AND PROPRIETARY
 © Adam Tech. All rights reserved. This document contains confidential and proprietary information belonging to Adam Tech. It is provided solely for design and reference purposes by authorized parties. Any reproduction, distribution, display, or disclosure to third parties, in whole or in part, without the prior written consent of Adam Tech, is strictly prohibited. Adam Tech retains all rights, including copyright, trademark, trade secret, and all other intellectual property rights worldwide.

909 Rahway Avenue,
 Union, NJ 07083
 Phone: 908-687-5000
 adam-tech.com

TITLE		
1.27 PITCH IDC CONNECTOR DUAL ROW, 20P FEMALE CABLE ASSEMBLY		
SIZE	PART NO.	REV.
X	CA-ESMC1-F-F-20-XXXX-C1A	A
REF:	S00242T	SCALE: NTS SHEET 2 OF 2

6

5

4

3

2

1