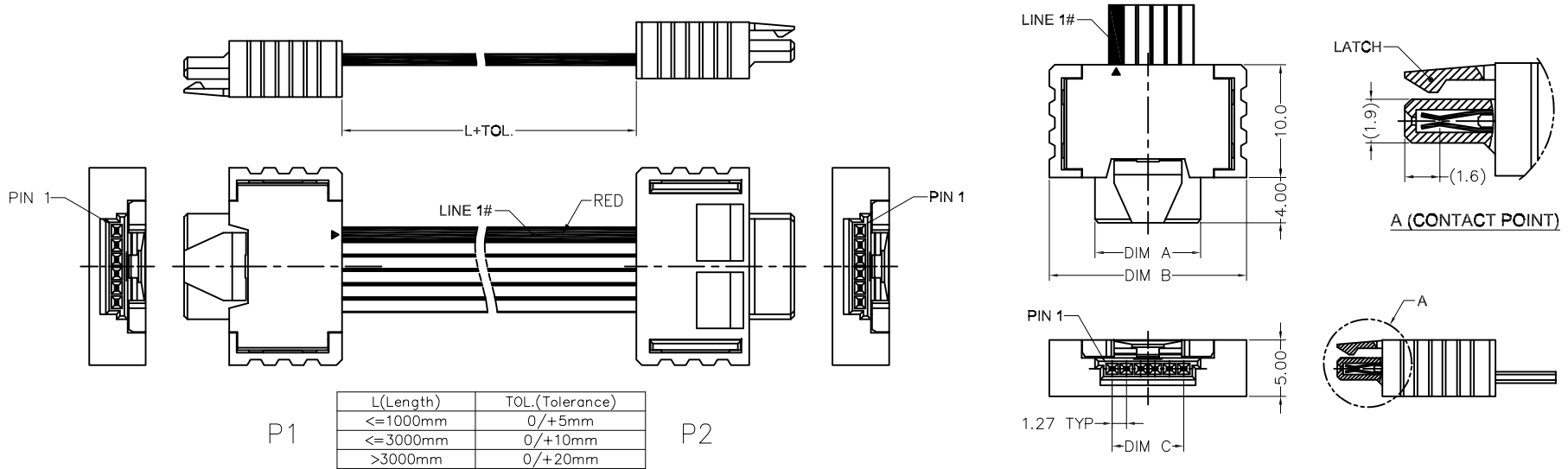


APPROVED: \_\_\_\_\_

DATE: \_\_\_\_\_ TITLE: \_\_\_\_\_

Rev	AWO #	Description	Date	Appr
-		RELEASED	3/3/26	

CUSTOM CABLE ASSEMBLIES ARE NON-CANCELLABLE / NON-RETURNABLE



L(Length)	TOL.(Tolerance)
<=1000mm	0/+5mm
<=3000mm	0/+10mm
>3000mm	0/+20mm

CA-ESMC1-F-F-XX-XXXX-C1

EX:  
 0150: 150mm  
 0300: 300mm  
 0500: 500mm  
 1000: 1000mm  
 Options  
 (by custom design)

PIN NO.	DIM A	DIM B	DIM C
2	4.29	12.42	1.27
3	5.56	13.69	2.54
4	6.83	14.96	3.81
6	9.37	17.50	6.35
8	11.91	20.04	8.89
10	14.45	22.58	11.43
12	16.99	25.12	13.97

**SPECIFICATIONS:**

**Connector:**  
 P1&P2 = 1.27 Pitch Single Row Solder Type Female Connector, (P/N: ESMC Series)  
 Housing: Thermoplastic, rated UL 94V-0  
 Contact: High Conductivity Copper, Selective Gold Flash Plated

**Cable:**  
 26 AWG, 1.27 Pitch  
 Insulator: PVC  
 Conductor: Tinned Copper (Construction: 7/0.16±0.005mm)

**Electrical:**  
 Current rating: 1.8A (All Conductor Carrying)  
 3.0A (One Conductor Carrying)

**Temperature Rating:**  
 Operating temperature: -20°C to +105°C

**Electrical Test:**  
 All Assemblies must be 100% Tested for  
 Shorts, Open, Continuity, and Physical Appearance.

Environmental:  
 Lead free, RoHS compliant



UNLESS OTHERWISE SPECIFIED ALL DIMENSIONS ARE MILLIMETERS. TOLERANCES: EXCEPT AS NOTED			
MM	.X ± 0.35	ANGLE	± 2°
	.XX ± 0.20		
	.XXX ± 0.10		
DRAWN	WY	3/3/26	
CHECKED	RC	3/3/26	
APPROVED			
CONFIDENTIAL AND PROPRIETARY			
© Adam Tech. All rights reserved. This document contains confidential and proprietary information belonging to Adam Tech. It is provided solely for design and reference purposes by authorized parties. Any reproduction, distribution, display, or disclosure to third parties, in whole or in part, without the prior written consent of Adam Tech, is strictly prohibited. Adam Tech retains all rights, including copyright, trademark, trade secret, and all other intellectual property rights worldwide.			



909 Rahway Avenue,  
 Union, NJ 07083  
 Phone: 908-687-5000  
 adam-tech.com

TITLE  
 1.27 PITCH SINGLE ROW  
 SOLDER TYPE FEMALE CABLE ASSEMBLY

SIZE X	PART NO. CA-ESMC1-F-F-XX-XXXX-C1	REV. -
REF: S00242T	SCALE: NTS	SHEET 1 OF 2

6

5

4

3

2

1

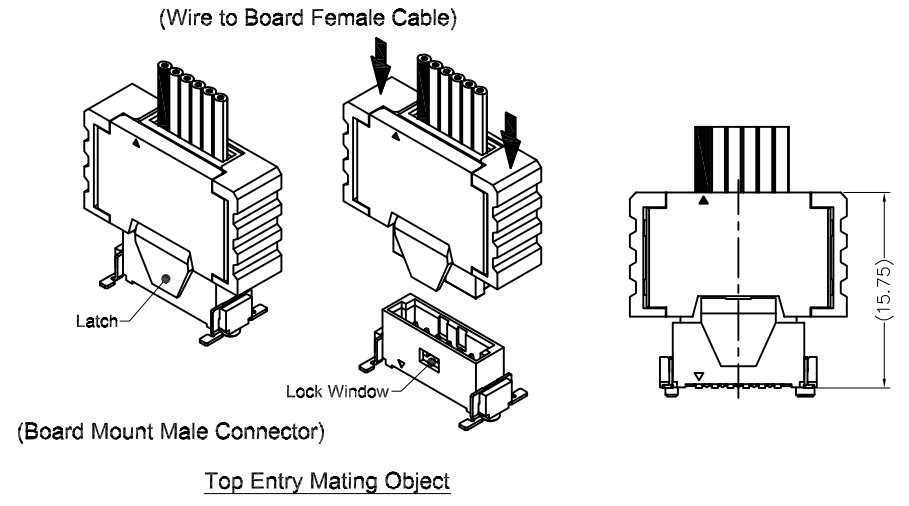
APPROVED: \_\_\_\_\_

DATE: \_\_\_\_\_ TITLE: \_\_\_\_\_

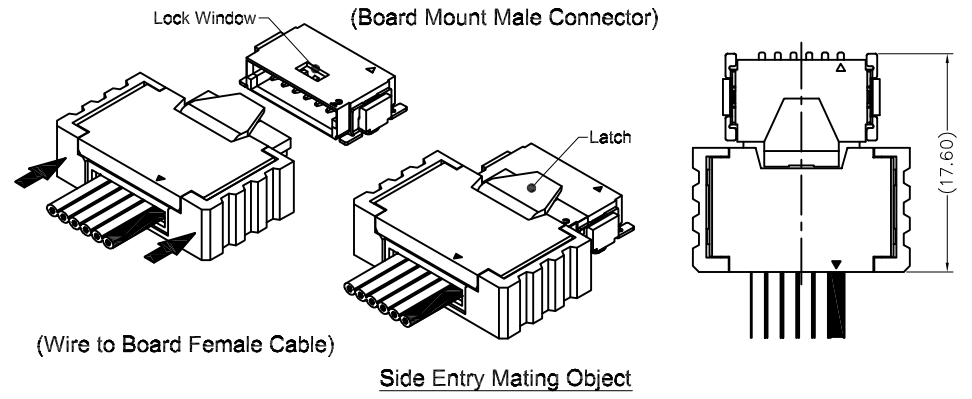
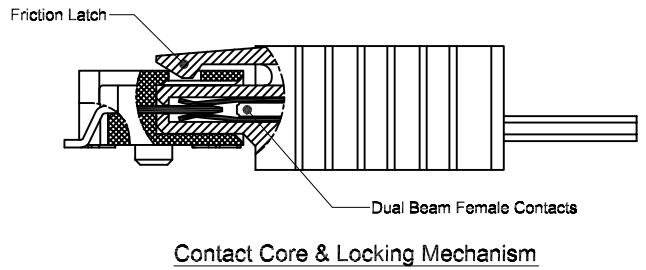
Rev	AWO #	Description	Date	Appr
SEE SHT 1 OF 2 FOR REVISION				

D

D



C



B

B

A

A

UNLESS OTHERWISE SPECIFIED ALL DIMENSIONS ARE MILLIMETERS. TOLERANCES: EXCEPT AS NOTED

MM	.X ± 0.35	ANGLE	± 2°
	.XX ± 0.20		
	.XXX ± 0.10		

DRAWN	WY	3/3/26
CHECKED	RC	3/3/26
APPROVED		

**CONFIDENTIAL AND PROPRIETARY**  
 © Adam Tech. All rights reserved. This document contains confidential and proprietary information belonging to Adam Tech. It is provided solely for design and reference purposes by authorized parties. Any reproduction, distribution, display, or disclosure to third parties, in whole or in part, without the prior written consent of Adam Tech, is strictly prohibited. Adam Tech retains all rights, including copyright, trademark, trade secret, and all other intellectual property rights worldwide.

**ADAM TECH**

909 Rahway Avenue,  
 Union, NJ 07083  
 Phone: 908-687-5000  
 adam-tech.com

TITLE 1.27 PITCH SINGLE ROW SOLDER TYPE FEMALE CABLE ASSEMBLY		
SIZE X	PART NO. CA-ESMC1-F-F-XX-XXXX-C1	REV. -
REF: S00242T	SCALE: NTS	SHEET 2 OF 2

6

5

4

3

2

1