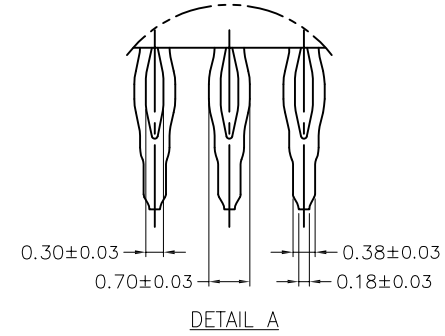
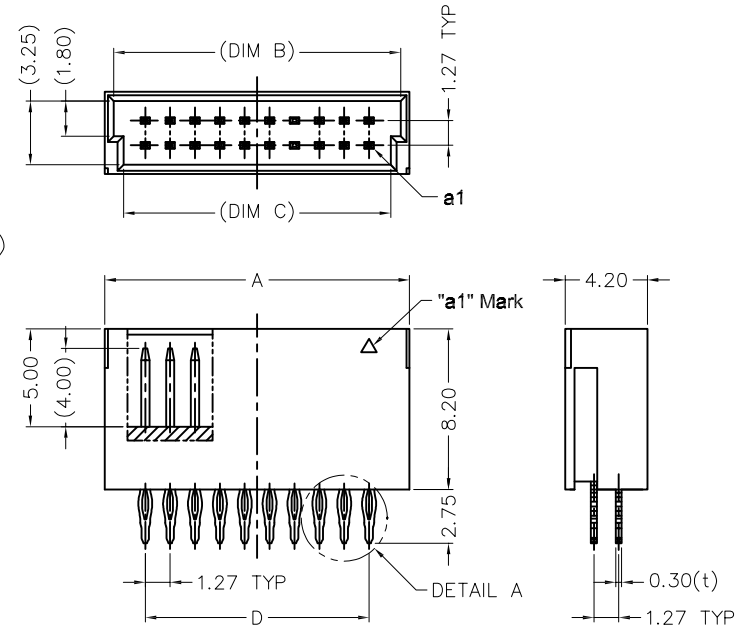
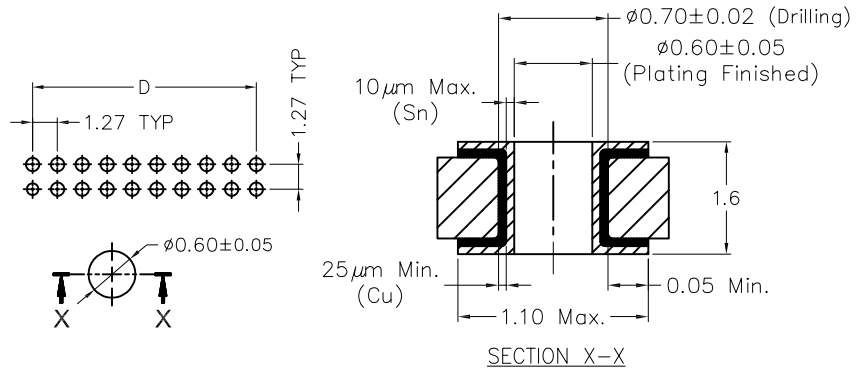


APPROVED: _____

DATE: _____ TITLE: _____

Rev	AWO #	Description	Date	Appr
-		RELEASED	4/29/26	



ESMC-M2-XX-SGS-PF

PIN NO.	DIMENSION			
	A	B	C	D
12	10.47	9.57	8.57	6.35
26	19.36	18.46	17.46	15.24
50	34.60	33.70	32.70	30.48
80	53.65	52.75	51.75	49.53

SPECIFICATIONS:

Material:
 Insulator: Hi-temp thermoplastic, rated UL 94V-0
 Insulator color: Black
 Contact: Phosphor Bronze
 Plating:
 Gold flash over Nickel underplate on contact area,
 Tin over Nickel underplate on solder tails

Electrical:
 Current rating: 1.7A
 Contact resistance: 25 mohms max
 Insulation resistance: 1000 Mohms min
 Dielectric withstanding voltage: 500V AC for 1 minute
 Temperature Rating:
 Operating temperature: -55°C to +125°C

Environmental:
 Lead free, RoHS compliant.



PACKAGED ON PLASTIC TUBE

UNLESS OTHERWISE SPECIFIED ALL DIMENSIONS ARE MILLIMETERS. TOLERANCES: EXCEPT AS NOTED		
.X ± 0.25	ANGLE ± 2°	
MM .XX ± 0.15		
.XXX ± 0.05		
DRAWN	WY	4/29/26
CHECKED	RC	4/29/26
APPROVED		
CONFIDENTIAL AND PROPRIETARY		
© Adam Tech. All rights reserved. This document contains confidential and proprietary information belonging to Adam Tech. It is provided solely for design and reference purposes by authorized parties. Any reproduction, distribution, display, or disclosure to third parties, in whole or in part, without the prior written consent of Adam Tech, is strictly prohibited. Adam Tech retains all rights, including copyright, trademark, trade secret, and all other intellectual property rights worldwide.		

ADAM TECH 909 Rahway Avenue,
 Union, NJ 07083
 Phone: 908-687-5000
 adam-tech.com

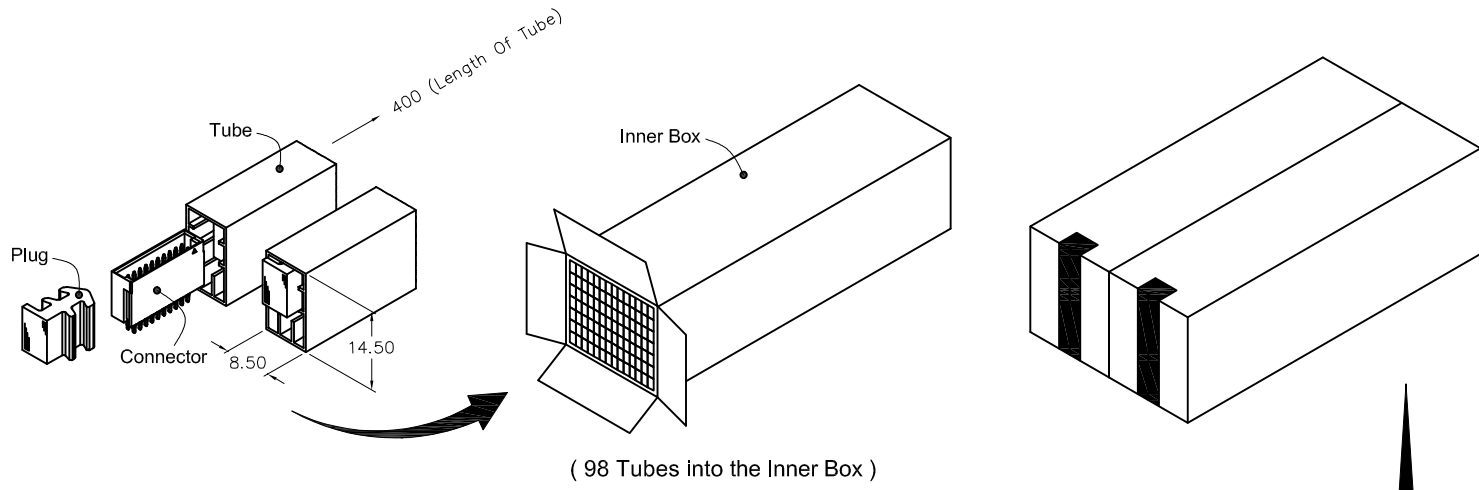
TITLE: 1.27MM POWER BOARD TO BOARD STACKING CONNECTOR, MALE, STRAIGHT, PRESS-FIT TYPE

SIZE X	PART NO. ESMC-M2-XX-SGS-PF	REV. -
REF: S00242T	SCALE: NTS	SHEET 1 OF 2

APPROVED: _____

DATE: _____ TITLE: _____

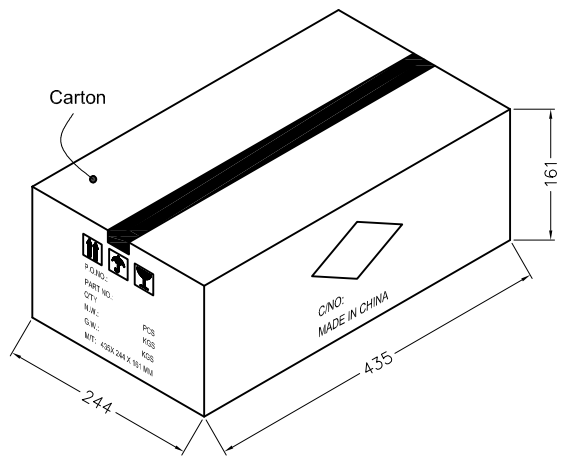
Rev	AWO #	Description	Date	Appr
SEE SHT 1 OF 2 FOR REVISION				



(98 Tubes into the Inner Box)

(2 Inner Boxes into the Carton)

PIN NO.	PCS/ Tube	Tube/Inner Box	PCS/Inner Box	PCS/Carton
12	36	98	3528	7056
26	19		1862	3724
50	11		1078	2156
80	7		686	1372



Unit: mm

UNLESS OTHERWISE SPECIFIED ALL DIMENSIONS ARE MILLIMETERS. TOLERANCES: EXCEPT AS NOTED		
.X ± 0.25	ANGLE ± 2°	
MM .XX ± 0.15		
.XXX ± 0.05		
DRAWN	WY	4/29/26
CHECKED	RC	4/29/26
APPROVED		
CONFIDENTIAL AND PROPRIETARY © Adam Tech. All rights reserved. This document contains confidential and proprietary information belonging to Adam Tech. It is provided solely for design and reference purposes by authorized parties. Any reproduction, distribution, display, or disclosure to third parties, in whole or in part, without the prior written consent of Adam Tech, is strictly prohibited. Adam Tech retains all rights, including copyright, trademark, trade secret, and all other intellectual property rights worldwide.		

909 Rahway Avenue,
Union, NJ 07083
Phone: 908-687-5000
adam-tech.com

TITLE 1.27MM POWER BOARD TO BOARD STACKING CONNECTOR, MALE, STRAIGHT, PRESS-FIT TYPE		
SIZE X	PART NO. ESMC-M2-XX-SGS-PF	REV. -
REF: S00242T	SCALE: NTS	SHEET 2 OF 2