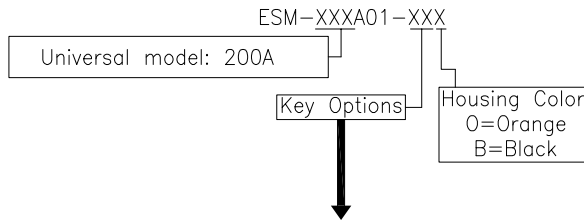
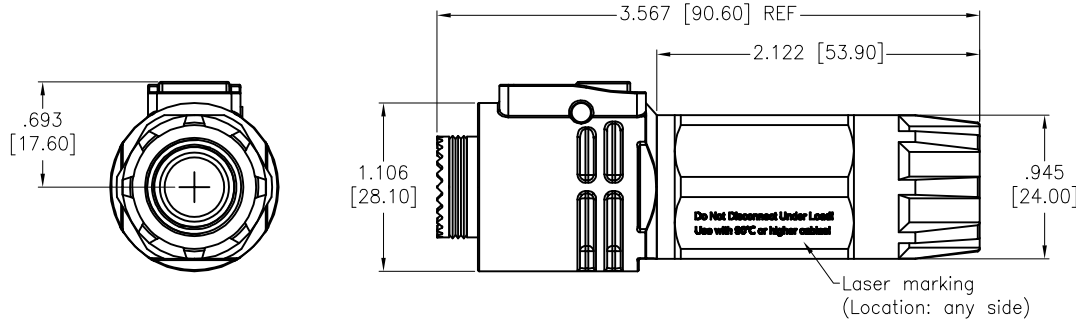


APPROVED: _____

DATE: _____ TITLE: _____

Rev	AWO #	Description	Date	Appr
-		RELEASED	9/25/26	
A		ADDED 250A DRAWING	3/24/26	LW1/RC

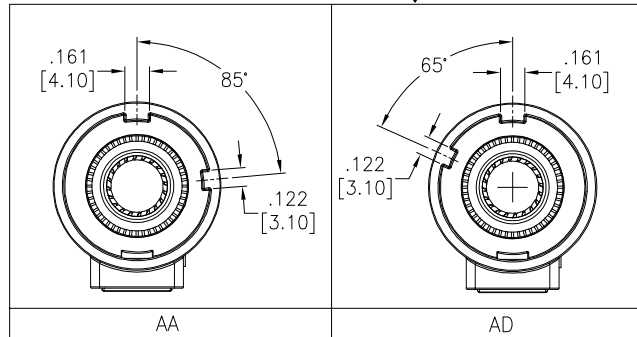


SPECIFICATIONS:

- Connector:**
 Housing: PA66, Glass reinforced, rated UL 94V-0
 Housing color: Orange/Black
 Button: PA66, Glass reinforced, rated UL 94V-0
 Nut: PA66, Glass reinforced, rated UL 94V-0
 Plug Sleeve: PA66, Glass reinforced, rated UL 94V-0
 Waterproof ring: Silicone
 Contact: Pure Copper, Silver plated Surface
 Spring: SUS301
 Rivet: Aluminum Alloy

- Electrical:**
 Voltage rating: 1500V DC
 Current rating: 200A
 Contact resistance: 0.5 mohms max
 Insulation resistance: 5,000 Mohms min
 Dielectric withstanding voltage: 6,800V DC

- Mechanical:**
 Durability: 500 cycles
 Temperature Rating:
 -40°C to +125°C
 Environmental:
 Salt Spray Test up to 72 hours
 Waterproof: IP67 (Mating)
 Lead free, RoHS compliant.



Suitable wire gauge

Specification		Universal model
AWG American wire gauge	Wire standard: 1/0 AWG	200A
	Strand outer diameter: ϕ 10.3 Max	
O.D (Outside Diameter): ϕ 14.2 Max		
International Wire Gauge	Wire standard: 50mm ²	
	Strand outer diameter: ϕ 10.2 Max	
	O.D (Outside Diameter): ϕ 13.5 Max	

UNLESS OTHERWISE SPECIFIED ALL DIMENSIONS ARE INCHES [MM]. TOLERANCES: EXCEPT AS NOTED

.X	± .10	HOLES ϕ .X	± .10
INCHES .XX	± .020	HOLES ϕ .XX	± .015
.XXX	± .015	HOLES ϕ .XXX	± .010

DRAWN	LH	9/26/25
CHECKED	JL3	9/26/25
APPROVED		

CONFIDENTIAL AND PROPRIETARY

© Adam Tech. All rights reserved. This document contains confidential and proprietary information belonging to Adam Tech. It is provided solely for design and reference purposes by authorized parties. Any reproduction, distribution, display, or disclosure to third parties, in whole or in part, without the prior written consent of Adam Tech, is strictly prohibited. Adam Tech retains all rights, including copyright, trademark, trade secret, and all other intellectual property rights worldwide.



909 Rahway Avenue,
 Union, NJ 07083
 Phone: 908-687-5000
 adam-tech.com

TITLE
ENERGY STORAGE CONNECTOR, MALE VERTICAL

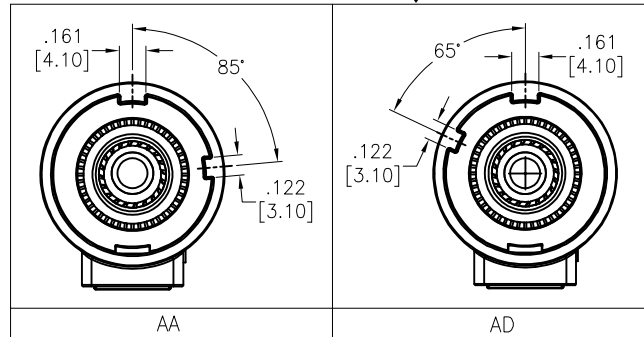
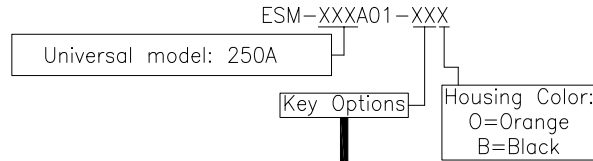
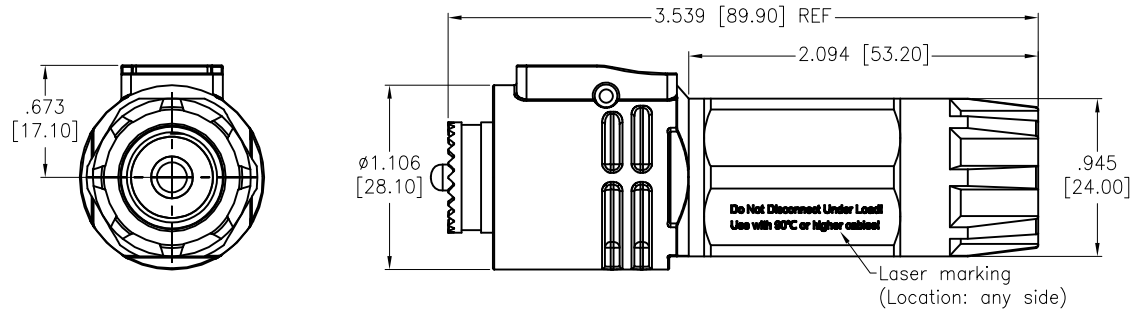
SIZE	PART NO.	REV.
X	ESM-XXXA01-XXX	A

REF: S00005C SCALE: NTS SHEET 1 OF 2

APPROVED: _____

DATE: _____ TITLE: _____

Rev	AWO #	Description	Date	Appr
SEE SHT 1 OF 2 FOR REVISION				



Suitable wire gauge

Specification		Universal model
AWG American wire gauge	Wire standard: 2/0 AWG	250A
	Strand outer diameter: ø11.6 Max	
O.D (Outside Diameter): ø15.1 Max		
International Wire Gauge	Wire standard: 70mm ²	
	Strand outer diameter: ø12.2 Max	
	O.D (Outside Diameter): ø15.5 Max	

SPECIFICATIONS:

Connector:

- Housing: PA66, Glass reinforced, rated UL 94V-0
- Housing color: Orange/Black
- Button: PA66, Glass reinforced, rated UL 94V-0
- Nut: PA66, Glass reinforced, rated UL 94V-0
- Plug Sleeve: PA66, Glass reinforced, rated UL 94V-0
- Waterproof ring: Silicone
- Contact: Pure Copper, Silver plated Surface
- Spring: Stainless Steel
- Rivet: Aluminum Alloy

Electrical:

- Voltage rating: 1500V DC
- Current rating: 250A
- Contact resistance: 0.5 mohms max
- Insulation resistance: 5,000 Mohms min
- Dielectric withstanding voltage: 6,800V DC

Mechanical:

- Durability: 500 cycles
- Temperature Rating: -40°C to +125°C
- Environmental:
- Salt Spray Test up to 72 hours
- Waterproof: IP67 (Mating)
- Lead free, RoHS compliant.



UNLESS OTHERWISE SPECIFIED ALL DIMENSIONS ARE INCHES [MM]. TOLERANCES: EXCEPT AS NOTED		
.X ± .10	.XX ± .020	.XXX ± .015
HOLE Ø.X ± .10	HOLE Ø.XX ± .015	HOLE Ø.XXX ± .010
DRAWN	LH	9/26/25
CHECKED	JL3	9/26/25
APPROVED		
<small>CONFIDENTIAL AND PROPRIETARY © Adam Tech. All rights reserved. This document contains confidential and proprietary information belonging to Adam Tech. It is provided solely for design and reference purposes by authorized parties. Any reproduction, distribution, display, or disclosure to third parties, in whole or in part, without the prior written consent of Adam Tech, is strictly prohibited. Adam Tech retains all rights, including copyright, trademark, trade secret, and all other intellectual property rights worldwide.</small>		

909 Rahway Avenue,
 Union, NJ 07083
 Phone: 908-687-5000
 adam-tech.com

TITLE		
ENERGY STORAGE CONNECTOR, MALE VERTICAL		
SIZE X	PART NO. ESM-XXXA01-XXX	REV. A
REF: S00005C	SCALE: NTS	SHEET 2 OF 2