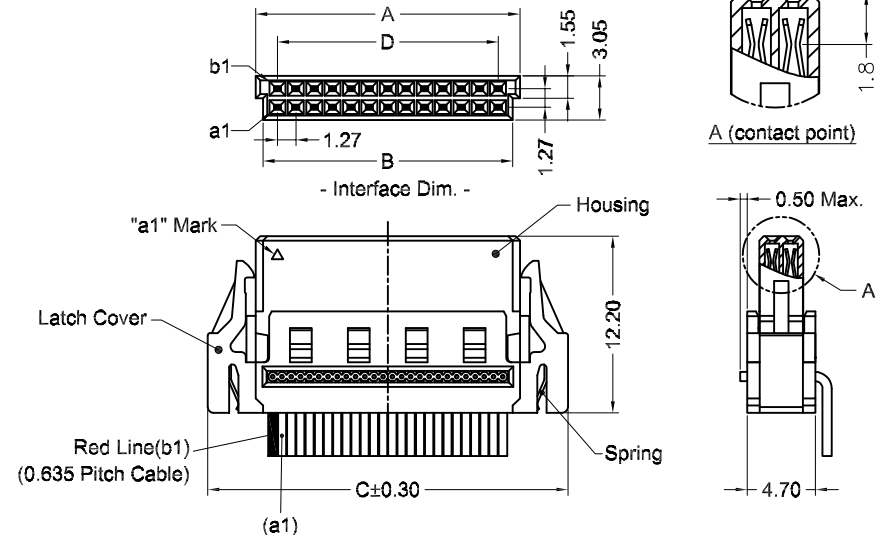
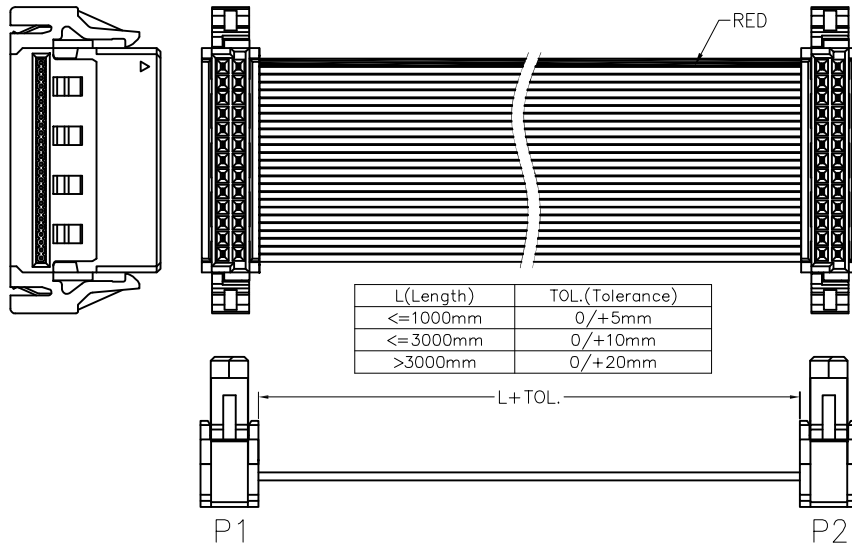


APPROVED: _____

DATE: _____ TITLE: _____

CUSTOM CABLE ASSEMBLIES ARE NON-CANCELLABLE / NON-RETURNABLE

Rev	AWO #	Description	Date	Appr
-		RELEASED	2/11/20	
A		UPDATE DRAWING	3/3/26	WY/RC
B		UPDATE SPEC.	5/20/26	WY/RC



SPECIFICATIONS:

Connector:
P1&P2 = 1.27 Pitch IDC Female Connector, (P/N: ESMC Series)

Housing: (LCP)Hi-Temp Thermoplastic, rated UL 94V-0

Latch Cover: PA66, rated UL 94V-0

Contact: Copper Alloy, Selective Gold Flash Plated

Spring: Stainless

Cable:

30 AWG, 0.635 Pitch

Material: PVC or TPE (See P/N)

Outer Diameter: 0.66±0.1mm

Electrical:

Current rating: 0.5A per contact Δ

Mechanical:

Mating Force: \leq 0.8N (per-pin)

Separating Force: \geq 0.1N (per-pin)

Mating Cycle: 500 cycles

Temperature Rating:

Operating temperature: -20°C to +105°C (PVC)
-40°C to +125°C (TPE)

Electrical Test:

All Assemblies must be 100% Tested for Shorts, Open, Continuity, and Physical Appearance.

Environmental:

Lead free, RoHS compliant



PIN NO.	DIM A	DIM B	DIM C	DIM D
12	9.35	8.35	16.20	6.35
16	11.89	10.89	18.74	8.89
20	14.43	13.43	21.28	11.43
26	18.24	17.24	25.09	15.24
30	20.78	19.78	27.63	17.78
32	22.05	21.05	28.90	19.05
40	27.13	26.13	33.98	24.13
50	33.48	32.48	40.33	30.48
68	44.91	43.91	51.76	41.91
80	52.53	51.53	59.38	49.53

UNLESS OTHERWISE SPECIFIED ALL DIMENSIONS ARE MILLIMETERS. TOLERANCES: EXCEPT AS NOTED		
MM	.X ± 0.35 .XX ± 0.20 .XXX ± 0.10	ANGLE ± 2°
DRAWN	LH	2/11/20
CHECKED	JC	2/11/20
APPROVED		
CONFIDENTIAL AND PROPRIETARY © Adam Tech. All rights reserved. This document contains confidential and proprietary information belonging to Adam Tech. It is provided solely for design and reference purposes by authorized parties. Any reproduction, distribution, display, or disclosure to third parties, in whole or in part, without the prior written consent of Adam Tech, is strictly prohibited. Adam Tech retains all rights, including copyright, trademark, trade secret, and all other intellectual property rights worldwide.		

909 Rahway Avenue,
Union, NJ 07083
Phone: 908-687-5000
adam-tech.com

TITLE 1.27 PITCH IDC CONNECTOR DUAL ROW FEMALE CABLE ASSEMBLY		
SIZE X	PART NO. CA-ESMC-F-F-XX-X-XXXX-X-C1	REV. B
REF: S00242T	SCALE: NTS	SHEET 1 OF 2

APPROVED: _____

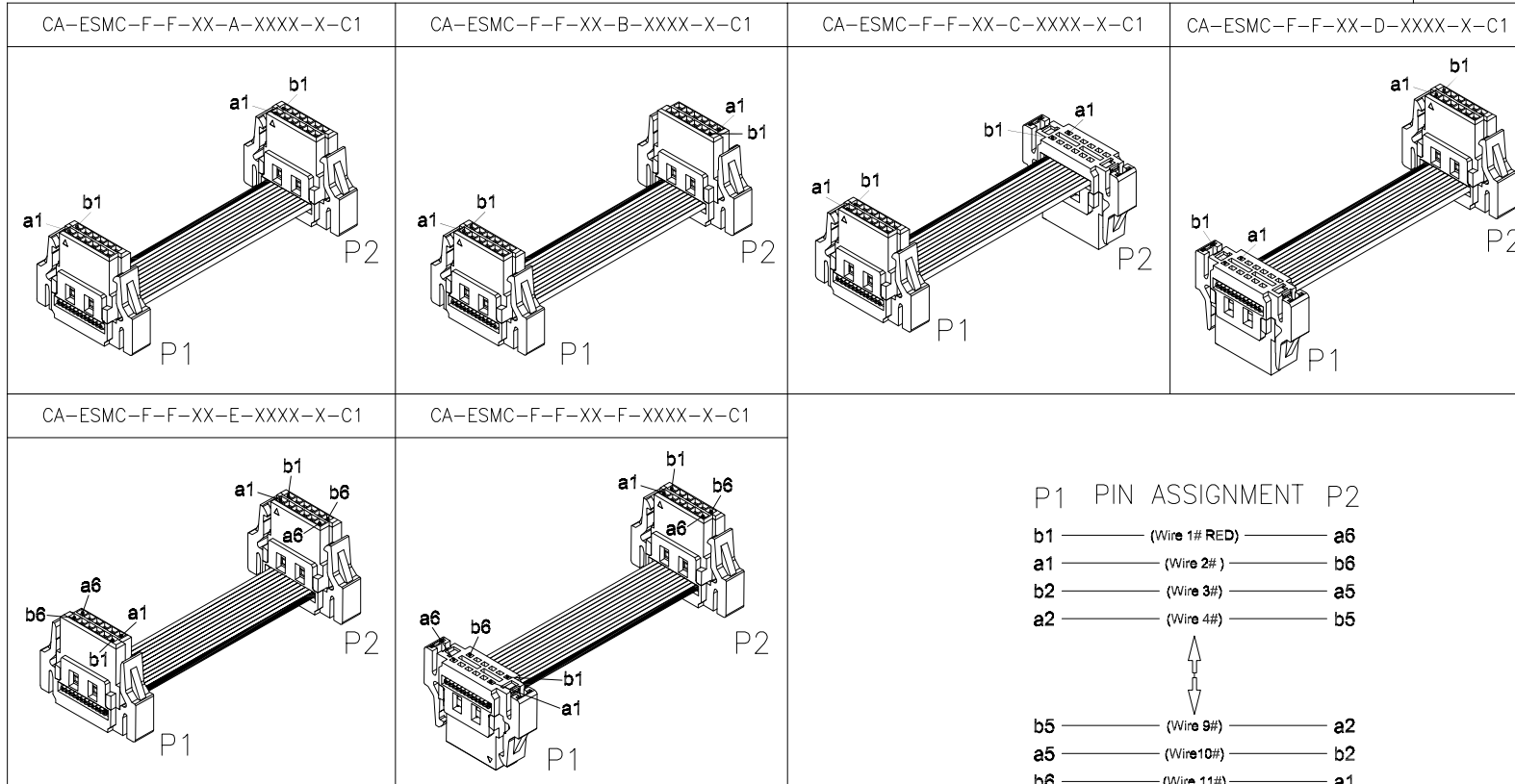
DATE: _____ TITLE: _____

Rev	AWO #	Description	Date	Appr
SEE SHT 1 OF 2 FOR REVISION				

P/N: CA-ESMC-F-F-XX-X-XXXX-X-C1

1=PVC
2=TPE

EX:
0150: 150mm
0300: 300mm
0500: 500mm
0530: 530mm
1000: 1000mm
Options
(by custom design)



UNLESS OTHERWISE SPECIFIED ALL DIMENSIONS ARE MILLIMETERS. TOLERANCES: EXCEPT AS NOTED

MM	.X	± 0.35	ANGLE	± 2°
	.XX	± 0.20		
	.XXX	± 0.10		



909 Rahway Avenue,
Union, NJ 07083
Phone: 908-687-5000
adam-tech.com

DRAWN	LH	2/11/20
CHECKED	JC	2/11/20
APPROVED		

TITLE 1.27 PITCH IDC CONNECTOR DUAL ROW FEMALE CABLE ASSEMBLY

CONFIDENTIAL AND PROPRIETARY
© Adam Tech. All rights reserved. This document contains confidential and proprietary information belonging to Adam Tech. It is provided solely for design and reference purposes by authorized parties. Any reproduction, distribution, display, or disclosure to third parties, in whole or in part, without the prior written consent of Adam Tech, is strictly prohibited. Adam Tech retains all rights, including copyright, trademark, trade secret, and all other intellectual property rights worldwide.

SIZE X	PART NO. CA-ESMC-F-F-XX-X-XXXX-X-C1	REV. B
REF: S00242T	SCALE: NTS	SHEET 2 OF 2