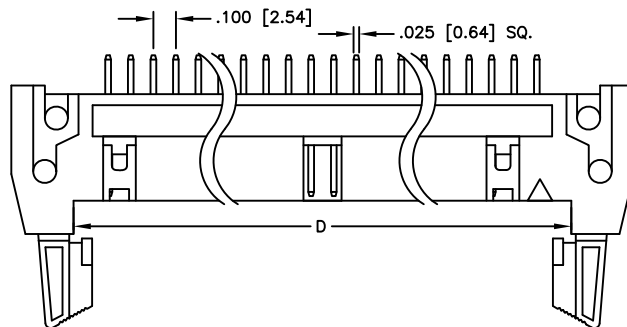
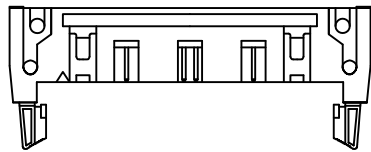


APPROVED: \_\_\_\_\_  
 DATE: \_\_\_\_\_ TITLE: \_\_\_\_\_

Rev	AWO #	Description	Date	Appr
-		RELEASED	9/10/09	
A		ADDED DRAWING	12/25/18	AY/RC1

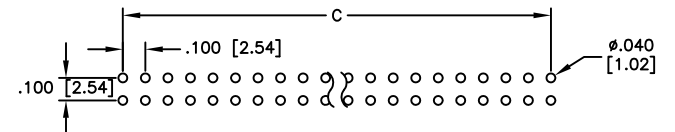
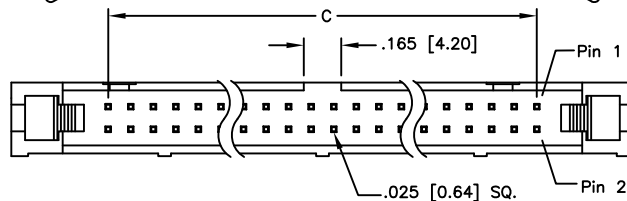
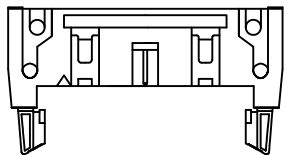
D

60, 64 PIN



C

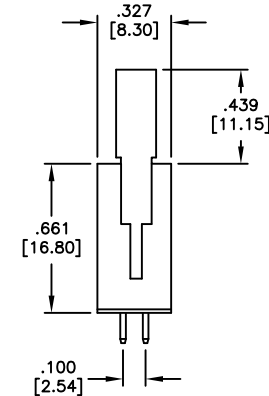
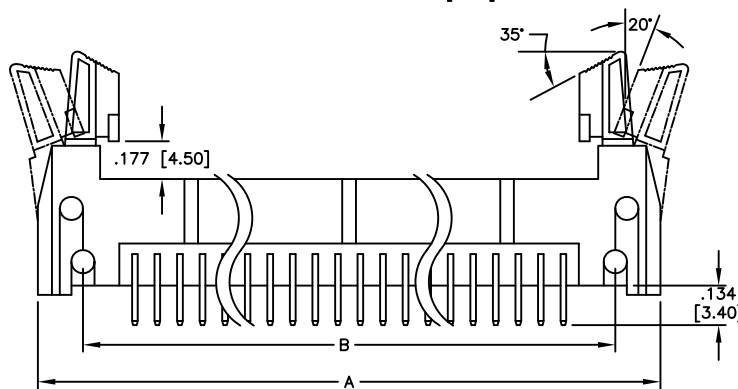
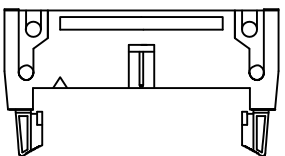
20, 24, 26, 30, 34, 40, 50 PIN



RECOMMENDED PCB LAYOUT

B

10, 14, 16 PIN



**SPECIFICATIONS:**

Material:  
 Insulator: PBT, glass reinforced, rated UL 94V-0, Color: Black  
 Contacts: Brass  
 Plating:  
 Gold flash over Nickel underplate on mating area,  
 Tin over Copper underplate on solder tails  
 Electrical:  
 Current rating: 1 Amp  
 Contact Resistance: 10 mohm max  
 Insulation resistance: 1000 Mohm min  
 Dielectric withstanding voltage: 500 VAC for 1 minute  
 Temperature Rating:  
 Operating temperature: -55°C to +105°C  
 Environmental:  
 Lead free, RoHS compliant.



Positions: 10, 14, 16, 20, 24, 26, 30, 34, 40, 50, 60, 64  
 A = .100 [2.54] x No. of Spaces + .855 [21.71]  
 B = .100 [2.54] x No. of Spaces + .454 [11.54]  
 C = .100 [2.54] x No. of Spaces  
 D = .100 [2.54] x No. of Spaces + .305 [7.74]

UNLESS OTHERWISE SPECIFIED ALL DIMENSIONS ARE MM [INCHES] TOLERANCES: EXCEPT AS NOTED		<b>ADAM TECH</b> 909 Rahway Avenue, Union, NJ 07083 Phone: 908-687-5000 Fax: 908-687-5710	
INCHES HOLES .X ±.10 Ø.X ±.10 .XX ±.020 Ø.XX ±.015 .XXX ±.015 Ø.XXX ±.010			
APPROVALS		TITLE	
DRAWN DY 9/10/09		LATCH BOX HEADER, STRAIGHT SHORT EJECTOR LATCHES	
CHECKED		SIZE X	PART NO. MHR-XX-VSGAS
APPROVED		REF: S00059T	SCALE: NTS SHEET 1 OF 1

D

C

B

A

6

5

4

3

2

1

6

5

4

3

2

1