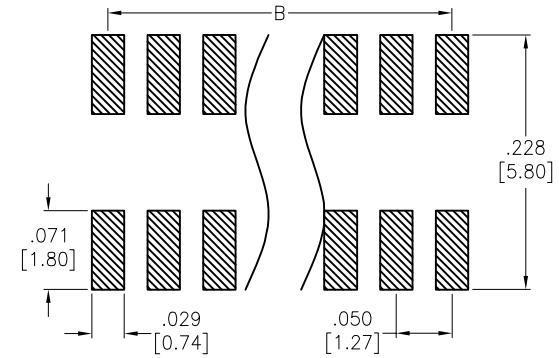
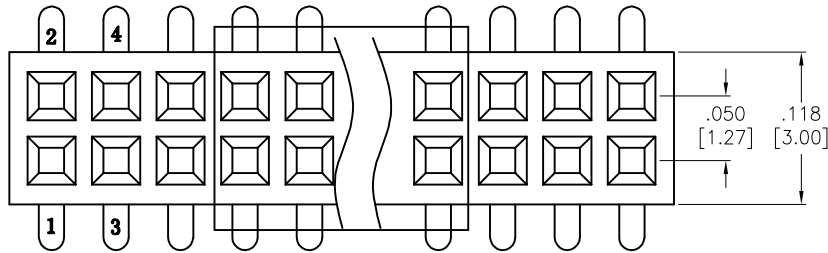


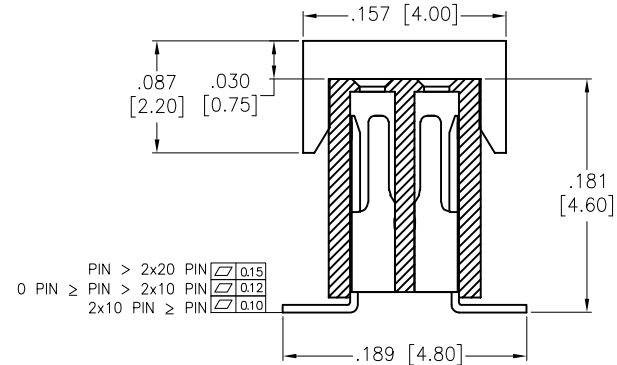
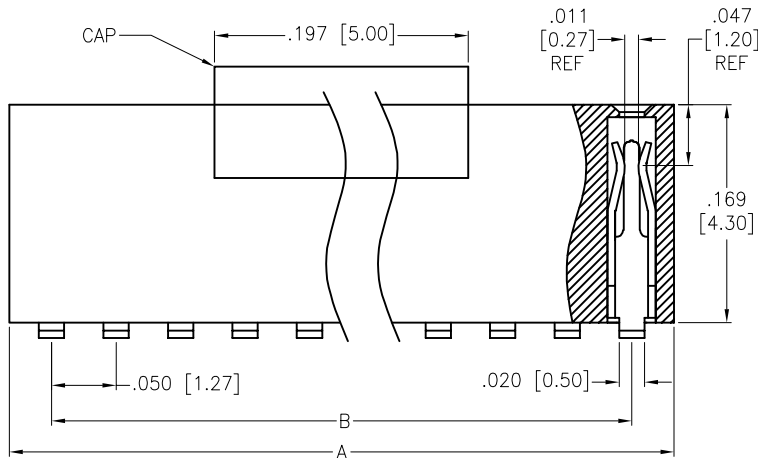
APPROVED: _____

DATE: _____ TITLE: _____

Rev	AWO #	Description	Date	Appr
-		RELEASED	2/16/16	
A		UPDATE DIM.	6/26/18	AY/KC
B		UPDATED DRAWING	1/10/23	JJ/RZ
C		UPDATED DRAWING	10/30/24	WY/LW



RECOMMENDED PCB LAYOUT



PIN > 2x20 PIN $\frac{0.15}{0.12}$
 0 PIN ≥ PIN > 2x10 PIN $\frac{0.12}{0.10}$
 2x10 PIN ≥ PIN $\frac{0.10}{0.10}$

SPECIFICATIONS:

Material:

Insulator: Hi-temp thermoplastic, rated UL 94V-0

Insulator color: Black

Contacts: Brass

Plating:

Gold flash over Nickel underplate overall

Electrical:

Current rating: 1 Amp

Contact resistance: 20 mohms max.

Insulation resistance: 1,000 Mohms min.

Dielectric withstanding voltage: 500 VAC For 1 Minute

Temperature Rating:

-40°C to +105°C

Environmental:

Lead free, RoHS compliant



PACKAGED ON TAPE & REEL

Positions: 04 thru 100

A= .050 [1.27] x No. of Positions per Row + .016 [0.40]

B= .050 [1.27] x No. of Space

UNLESS OTHERWISE SPECIFIED ALL DIMENSIONS ARE INCHES [MM]. TOLERANCES: EXCEPT AS NOTED			
INCHES		HOLES	
.x	± .10	∅x	±.10
.xx	± .020	∅xx	±.015
.xxx	± .015	∅xxx	±.010

DRAWN	AY	2/16/16
CHECKED	MY	2/16/16
APPROVED		

THIS DRAWING CONTAINS INFORMATION THAT IS PROPRIETARY AND SHOULD NOT BE USED WITHOUT PRIOR WRITTEN PERMISSION FROM ADAM TECH



909 Rahway Avenue,
Union, NJ 07083
Phone: 908-687-5000
Fax: 908-687-5710

TITLE		.050 x .050 DUAL ROW RECEPTACLE STRIP .169 [4.30] HEIGHT, SURFACE MOUNT	
SIZE	PART NO.	REV.	
X	HRS-2KY-XX-G-SMT-PP-T/R	C	
REF:	S00111C	SCALE:	NTS
		SHEET	1 OF 1