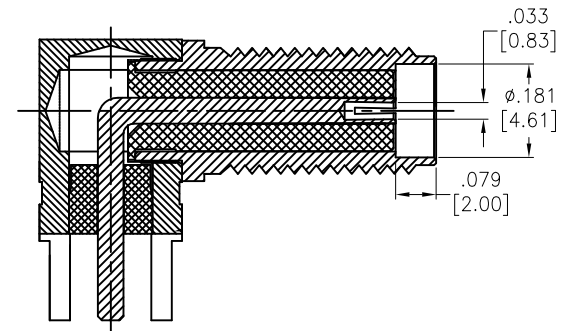
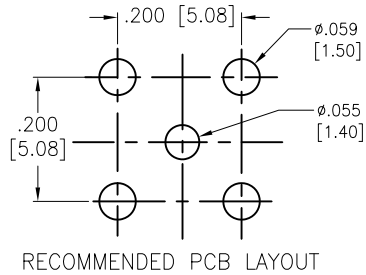
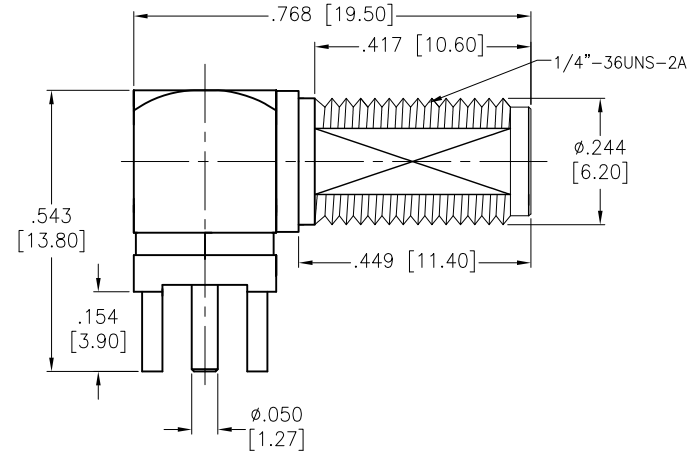
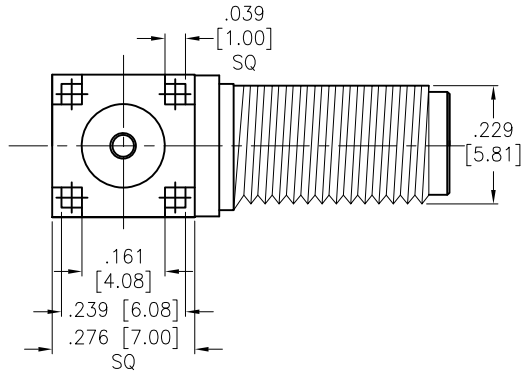


APPROVED: \_\_\_\_\_  
 DATE: \_\_\_\_\_ TITLE: \_\_\_\_\_

Rev	AWO #	Description	Date	Appr
-		RELEASED	8/2/21	



PIN	BRASS	GOLD
BODY	BRASS	GOLD
INSULATOR	TEFLON	WHITE
DESCRIPTION	MATERIAL	FINISH

**SPECIFICATIONS:**

Electrical:  
 Nominal Impedance: 50 ohms  
 Operating voltage: 250 VAC  
 Insulation resistance: 1000 Mohms min  
 Dielectric withstanding voltage: 100 V 50HZ RMS  
 VSWR: 1.5 max. (Right Angle)  
 Temperature Rating:  
 Operating temperature: -55°C to +155°C  
 Environmental:  
 Lead free, RoHS compliant.



UNLESS OTHERWISE SPECIFIED ALL DIMENSIONS ARE INCHES [MM]. TOLERANCES: EXCEPT AS NOTED

INCHES	HOLES
.X ± .10	ØX ± .10
.XX ± .020	ØXX ± .015
.XXX ± .015	ØXXX ± .010

**ADAM TECH**  
 909 Rahway Avenue,  
 Union, NJ 07083  
 Phone: 908-687-5000  
 Fax: 908-687-5710

DRAWN	WX	8/2/21
CHECKED	RL	8/2/21
APPROVED		
THIS DRAWING CONTAINS INFORMATION THAT IS PROPRIETARY AND SHOULD NOT BE USED WITHOUT PRIOR WRITTEN PERMISSION FROM ADAM TECH		

TITLE SMA R/A PCB MOUNT JACK, FEMALE PIN		
SIZE X	PART NO. RF2-100A-T-00-50-G	REV. -
REF: S00243T	SCALE: NTS	SHEET 1 OF 1