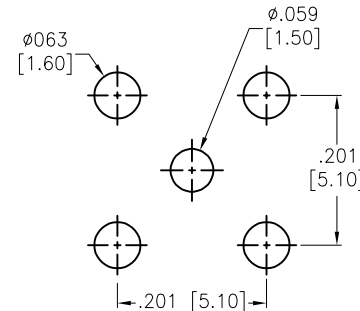
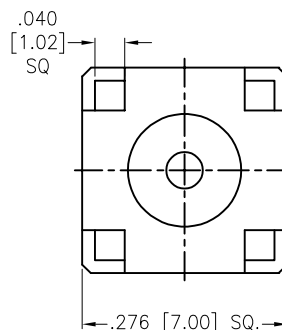
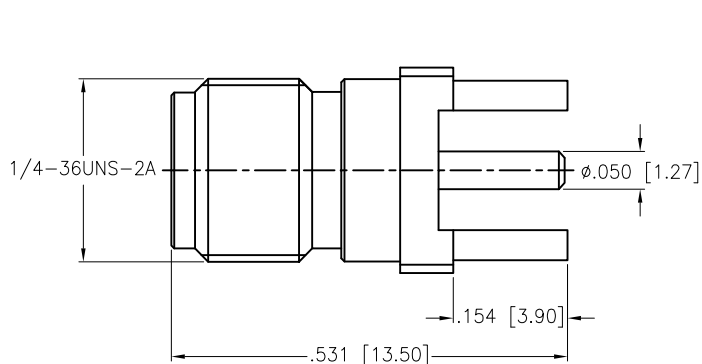


APPROVED: \_\_\_\_\_

DATE: \_\_\_\_\_ TITLE: \_\_\_\_\_

Rev	AWO #	Description	Date	Appr
-		RELEASED	6/14/22	
A		UPDATE SPEC.	12/19/24	LH/IH
B		UPDATE SPEC.	1/10/25	WY/FH



RECOMMENDED PCB LAYOUT

CONTACT PIN	BRASS	GOLD
INSULATOR	PTFE	WHITE
BODY	BRASS	GOLD
DESCRIPTION	MATERIAL	FINISH

**SPECIFICATIONS:**

**Electrical:**

Nominal impedance: 50 ohms  
 Frequency range: DC-18GHz  
 Working voltage: 335 VOLTS max.  
 Proof voltage: 1,000 VOLTS

**Temperature Rating:**

Operating temperature: -65°C to +165°C

**Environmental:**

Lead free, RoHS compliant.



PACKAGED ON TAPE & REEL, NO KAPTON TAPE  $\Delta$

UNLESS OTHERWISE SPECIFIED ALL DIMENSIONS ARE INCHES [MM]. TOLERANCES: EXCEPT AS NOTED

INCHES		HOLES	
.X	± .10	∅X	±.10
.XX	± .020	∅XX	±.015
.XXX	± .015	∅XXX	±.010



909 Rahway Avenue,  
 Union, NJ 07083  
 Phone: 908-687-5000  
 Fax: 908-687-5710

DRAWN	WX	6/14/22
CHECKED	LW	6/14/22
APPROVED		

TITLE  
**RF CONNECTOR, SMA STR PCB JACK**

THIS DRAWING CONTAINS INFORMATION THAT IS PROPRIETARY AND SHOULD NOT BE USED WITHOUT PRIOR WRITTEN PERMISSION FROM ADAM TECH

SIZE <b>X</b>	PART NO. <b>RF2-04A-T-00-50-G-NKT-T/R</b>	REV. <b>B</b>
REF: <b>900277T</b>	SCALE: <b>NTS</b>	SHEET <b>1</b> OF <b>2</b>

6

5

4

3

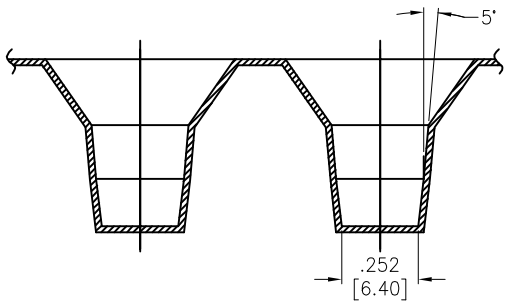
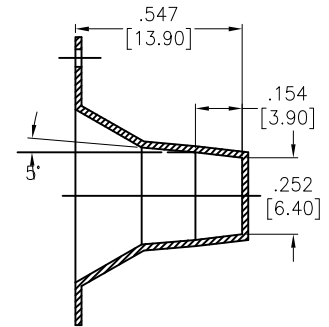
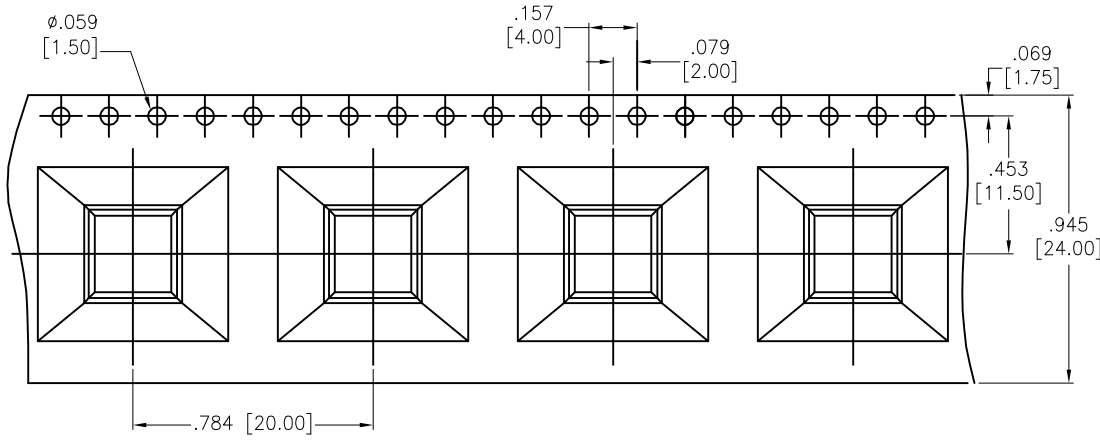
2

1

APPROVED: \_\_\_\_\_

DATE: \_\_\_\_\_ TITLE: \_\_\_\_\_

Rev	AWO #	Description	Date	Appr
SEE SHT 1 OF 2 FOR REVISION				



1. Material: PS Black-Thickness: 0.50 ±0.05mm.
2. Packing Length Per 22" Reel: 14 Meters
3. Component Load Per 15" Reel : 300 Pcs.

UNLESS OTHERWISE SPECIFIED ALL DIMENSIONS ARE INCHES [MM]. TOLERANCES: EXCEPT AS NOTED

INCHES		HOLES	
.X	± .10	∅.X	±.10
.XX	± .020	∅.XX	±.015
.XXX	± .015	∅.XXX	±.010

DRAWN	WX	6/14/22
CHECKED	LW	6/14/22
APPROVED		

THIS DRAWING CONTAINS INFORMATION THAT IS PROPRIETARY AND SHOULD NOT BE USED WITHOUT PRIOR WRITTEN PERMISSION FROM ADAM TECH

**ADAM TECH**

909 Rahway Avenue,  
Union, NJ 07083  
Phone: 908-687-5000  
Fax: 908-687-5710

TITLE		
RF CONNECTOR, SMA STR PCB JACK		
SIZE	PART NO.	REV.
X	RF2-04A-T-00-50-G-NKT-T/R	B
REF:	900277T	SCALE: NTS SHEET 2 OF 2

6

5

4

3

2

1