

6

5

4

3

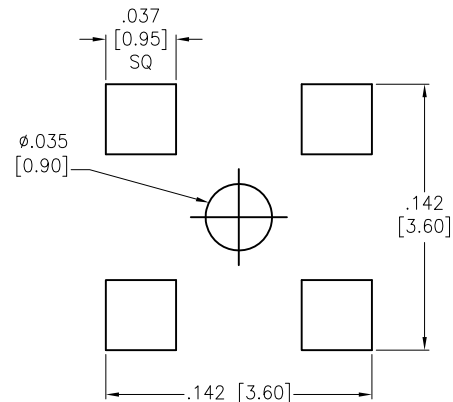
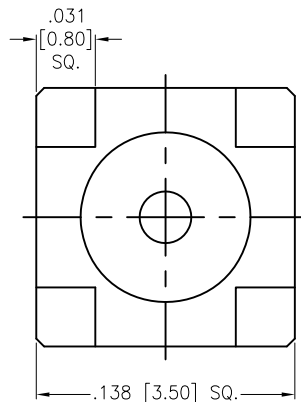
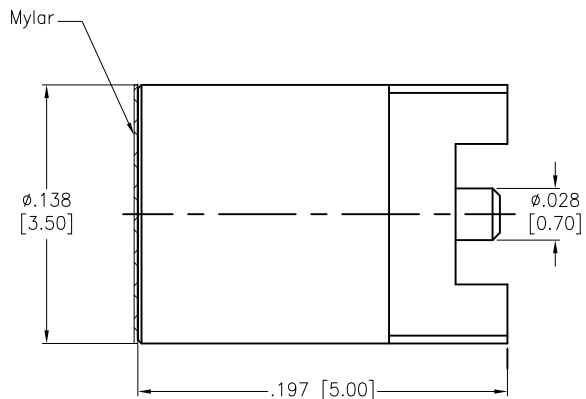
2

1

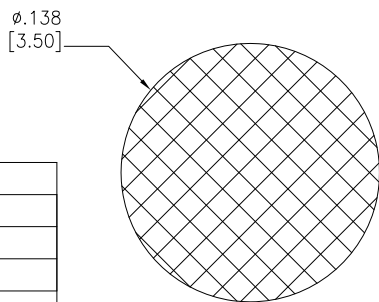
APPROVED: _____

DATE: _____ TITLE: _____

Rev	AWO #	Description	Date	Appr
-		RELEASED	4/23/18	



RECOMMENDED PCB LAYOUT



Mylar: T = .003 [0.08]

COVER TAPE	PI	AMBER
CONTACT PIN	BERYLLIUM COPPER	GOLD
INSULATOR	PTFE	WHITE
BODY	BRASS	GOLD
ITEM NAME	MATERIAL	FINISH

SPECIFICATIONS:

Electrical:
 Nominal Impedance: 50 Ohms
 Frequency range: DC-6 GHz
 Working Voltage: 170 Volts max
 Proof Voltage: 500 Volts
 Temperature Rating:
 Operating temperature: -55°C to +155°C
 Environmental:
 Lead free, RoHS compliant.



PACKAGED ON TAPE & REEL

UNLESS OTHERWISE SPECIFIED ALL DIMENSIONS ARE INCHES [MM] TOLERANCES: EXCEPT AS NOTED		
INCHES		HOLES
.X ± .10	Ø.X ± .10	
.XX ± .020	Ø.XX ± .015	
.XXX ± .015	Ø.XXX ± .010	
APPROVALS		DATE
DRAWN	AY	4/23/18
CHECKED	LW	4/23/18
APPROVED		

ADAM TECH INTERCONNECTS 909 Rahway Avenue,
 Union, NJ 07083
 Phone: 908-687-5000
 Fax: 908-687-5710

TITLE: RF CONNECTOR, TYPE MMCX ST. JACK,
50 OHM, SURFACE MOUNT

SIZE	PART NO.	REV.
X	RF12-41-T-00-50-G-KT-T/R	-
REF: S00277T	SCALE: NTS	SHEET 1 OF 2

6

5

4

3

2

1

6

5

4

3

2

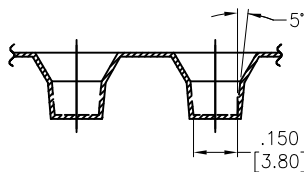
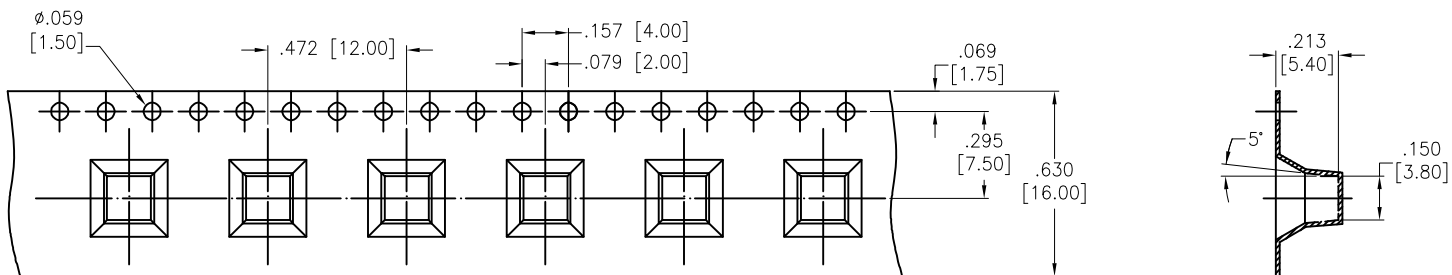
1

APPROVED: _____

DATE: _____ TITLE: _____

Rev	AWO #	Description	Date	Appr
-----	-------	-------------	------	------

SEE SHT 1 OF 2 FOR REVISION



- 1.Material:PS BLOCK-Thickness : 0.35 ±0.05mm.
- 2.Packing Length Per 22" Reel : 38 Meters (1:3).
- 3.Component Load Per 13" Reel : 1000 Pcs.

UNLESS OTHERWISE SPECIFIED
 ALL DIMENSIONS ARE INCHES [MM]
 TOLERANCES: EXCEPT AS NOTED
 INCHES HOLES

.X	± .10	Ø.X	± .10
.XX	± .020	Ø.XX	± .015
.XXX	± .015	Ø.XXX	± .010

ADAM
TECH
INTERCONNECTS

909 Rahway Avenue,
 Union, NJ 07083
 Phone: 908-687-5000
 Fax: 908-687-5710

APPROVALS		DATE
DRAWN	AY	4/23/18
CHECKED	LW	4/23/18
APPROVED		

TITLE			RF CONNECTOR, TYPE MMCX ST. JACK, 50 OHM, SURFACE MOUNT	
SIZE	PART NO.			REV.
X	RF12-41-T-00-50-G-KT-T/R			-
REF:	S00277T	SCALE:	NTS	SHEET 2 OF 2

6

5

4

3

2

1