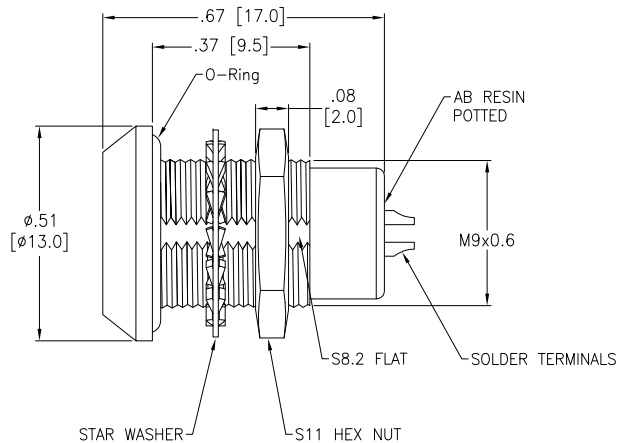
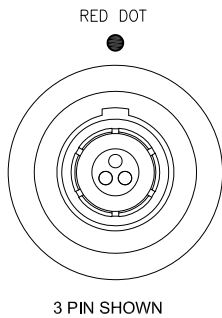


APPROVED: \_\_\_\_\_  
 DATE: \_\_\_\_\_ TITLE: \_\_\_\_\_

Rev	AWO #	Description	Date	Appr
-		RELEASED	9/30/22	

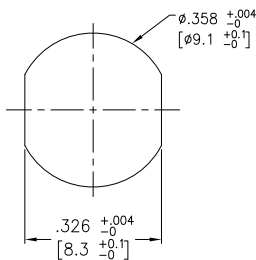
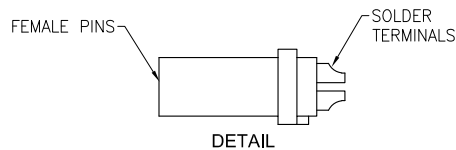
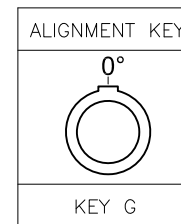


MMI-M0BFSGXXSP-IP67

SIZE 0B

ALIGNMENT KEY  
 G = 0°

# OF POSITIONS  
 (02, 03, 04, 05, 06, 07, 09 & 12)



Panel Cut-Out  
 (Front Panel Mounting)

Note: .275 [7.0] Max. Panel Thickness

	2 Pin	3 Pin	4 Pin	5 Pin	6 Pin	7 Pin	9 Pin	12 Pin
Configuration								
Diameter of Pin	$\phi 0.9$	$\phi 0.9$	$\phi 0.7$	$\phi 0.7$	$\phi 0.5$	$\phi 0.5$	$\phi 0.5$	$\phi 0.35$
Testing Voltage	1200V	1200V	1000V	1000V	900V	800V	800V	800V
Working Voltage	250V	250V	200V	200V	200V	200V	200V	200V
Rated Current / Pin	6.3A	6.3A	3.8A	3.8A	1.8A	1.8A	1.8A	0.9A

SPECIFICATIONS:

Material:  
 Body: Brass, Natural Chrome Plated  
 Insulator: PPS, color Beige  
 Terminal: Brass, Gold Plated  
 O-Ring: Silicone

Electrical:  
 Voltage Rating: See chart  
 Current Rating: See chart  
 Dielectric withstanding voltage: See chart  
 Electrical Life: 1,000 Cycles min.

Mechanical:  
 Endurance: 5,000 Cycles Min.  
 Operating Pressure: 60 bar max.  
 Temperature Rating:  
 Operating temperature: -55°C to +150°C  
 Environmental:  
 IP67 Protection (Panel and Mated Condition)  
 Lead free, RoHS compliant



UNLESS OTHERWISE SPECIFIED  
 ALL DIMENSIONS ARE INCHES [MM]  
 TOLERANCES: EXCEPT AS NOTED  
 INCHES HOLES

.X ± .10	Ø.X ± .10
.XX ± .020	Ø.XX ± .015
.XXX ± .015	Ø.XXX ± .010



909 Rahway Avenue,  
 Union, NJ 07083  
 Phone: 908-687-5000  
 Fax: 908-687-5710

APPROVALS		DATE
DRAWN	SS	9/30/22
CHECKED	SS	9/30/22
APPROVED		

TITLE PUSH-PULL SOCKET, VERTICAL, SIZE 0, METAL BODY, FRONT PANEL MOUNT, SOLDER TERMINAL, IP67		
SIZE X	PART NO. MMI-M0BFSGXXSP-IP67	REV. -
REF: SXXXXXX	SCALE: NTS	SHEET 1 OF 1