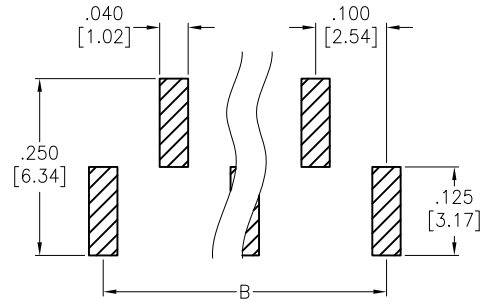
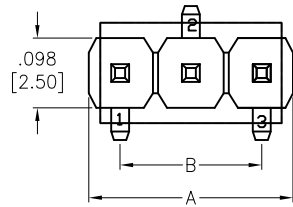
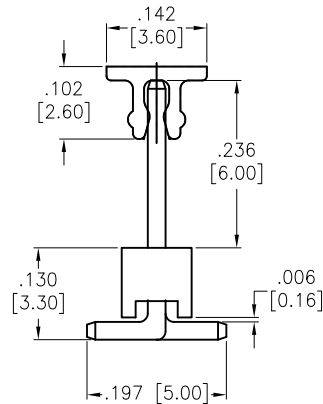
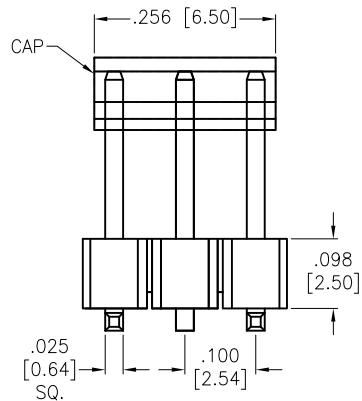


| | | | | | | | |
|--------------------------|---|---|-----|-------|-------------|---------|------|
| 6 | 5 | 4 | 3 | 2 | 1 | | |
| APPROVED: _____ | | | Rev | AWO # | Description | Date | Appr |
| DATE: _____ TITLE: _____ | | | - | | RELEASED | 7/11/19 | |



RECOMMENDED PCB LAYOUT



PACKAGED ON TAPE & REEL

Positions: 01 thru 40

A = .100 [2.54] x No. of Positions - .012 [0.30]

B = .100 [2.54] x No. of Spaces

SPECIFICATIONS:

Material:
 Insulator: Hi-temp thermoplastic, rated UL 94V-0
 Insulator color: Black
 Contacts: Brass
 Plating:
 Gold flash over Nickel underplate overall
 Electrical:
 Current rating: 3 Amp
 Contact resistance: 20 mohms max.
 Insulation resistance: 1,000 Mohms min.
 Dielectric withstanding voltage: 500 VAC
 Temperature Rating:
 -40°C to +105°C
 Environmental:
 Lead free, RoHS compliant



| | | | |
|---|--|--|--|
| UNLESS OTHERWISE SPECIFIED ALL DIMENSIONS ARE INCHES [MM] TOLERANCES: EXCEPT AS NOTED INCHES HOLES .X ± .10 Ø.X ± .10 .XX ± .020 Ø.XX ± .015 .XXX ± .015 Ø.XXX ± .010 | | ADAM TECH INTERCONNECTS 909 Rahway Avenue, Union, NJ 07083 Phone: 908-687-5000 Fax: 908-687-5710 | |
| APPROVALS DRAWN OW 7/11/19 CHECKED DH 7/11/19 APPROVED | | DATE DATE DATE | |
| TITLE .100 [2.54] SINGLE ROW PIN HEADER, SMT, TYPE B, GOLD PLATED | | SIZE X PART NO. PH1-XX-UA-SMT-B-PP-T/R REV. - | |
| REF: S00111C | | SCALE: NTS SHEET 1 OF 1 | |