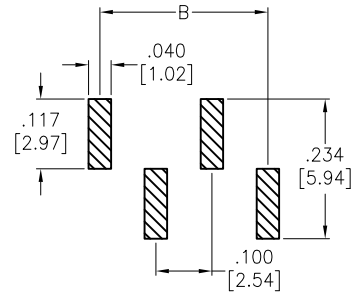
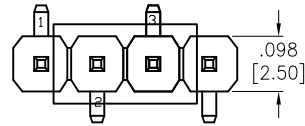
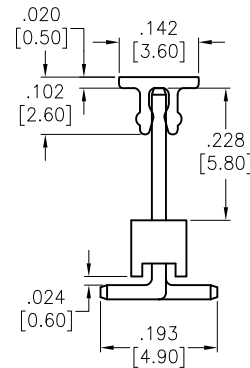
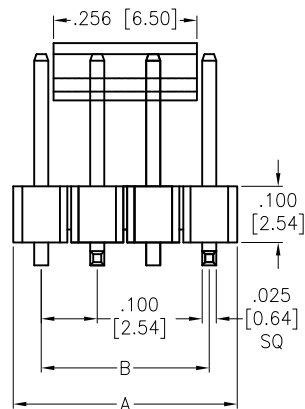


APPROVED: \_\_\_\_\_  
 DATE: \_\_\_\_\_ TITLE: \_\_\_\_\_

Rev	AWO #	Description	Date	Appr
-		RELEASED	4/26/17	
A		UPDATED DRAWING	4/12/18	HR/RC1
B		UPDATED SPECIFICATIONS	2/5/21	SS



RECOMMENDED PCB LAYOUT



PACKAGED ON TAPE & REEL

Positions: 1 thru 40

A = .100 [2.54] x No. of Positions

B = .100 [2.54] x No. of Spaces

SPECIFICATIONS:

Material:

Insulator: Hi-Temp Thermoplastic, rated UL 94V-0

Insulator color: Black

Contacts: Brass

Plating:

Matte Tin over Nickel underplate overall

Electrical:

Voltage Rating: 250V AC max.

Current rating: 3 Amp

Contact resistance: 20 mohms max

Insulation resistance: 1,000 Mohms min

Dielectric withstanding voltage: 500 VAC

Temperature Rating:

-40°C to +105°C

Environmental:

Lead free, RoHS compliant

Certifications:

UL Recognized File # E224053



UNLESS OTHERWISE SPECIFIED  
 ALL DIMENSIONS ARE INCHES [MM]  
 TOLERANCES: EXCEPT AS NOTED

INCHES		HOLES	
.X	± .10	Ø.X	± .10
.XX	± .020	Ø.XX	± .015
.XXX	± .015	Ø.XXX	± .010

APPROVALS		DATE
DRAWN	AY	4/26/17
CHECKED	VL	4/26/17
APPROVED		

**ADAM TECH**

909 Rahway Avenue, Union, NJ 07083  
 Phone: 908-687-5000 Fax: 908-687-5710

TITLE: CUSTOM .100 [2.54] PIN HEADER,  
 SURFACE MOUNT, W/ CAP, TAPE & REEL

SIZE X	PART NO. PH1-XX-MT-SMT-A-.230/.150-PP-T/R	REV. B
REF: S00111C	SCALE: NTS	SHEET 1 OF 1