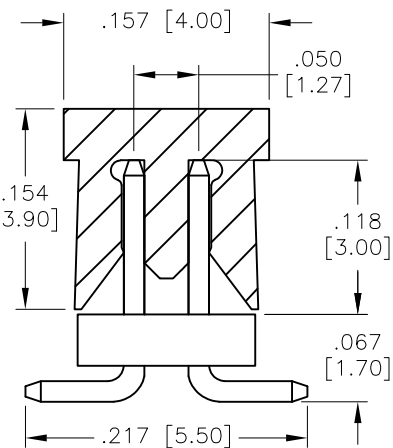
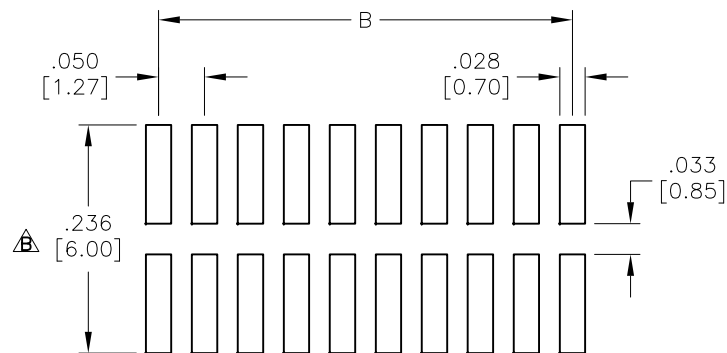
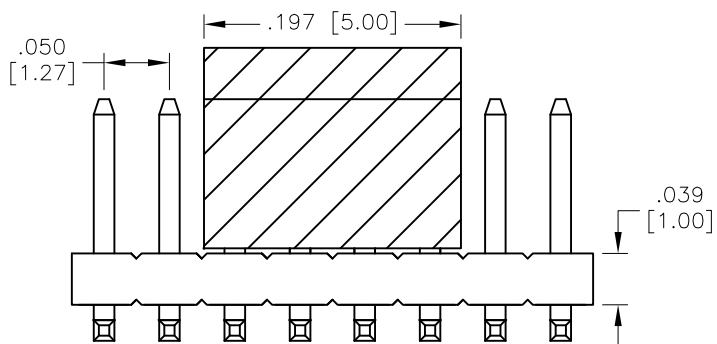
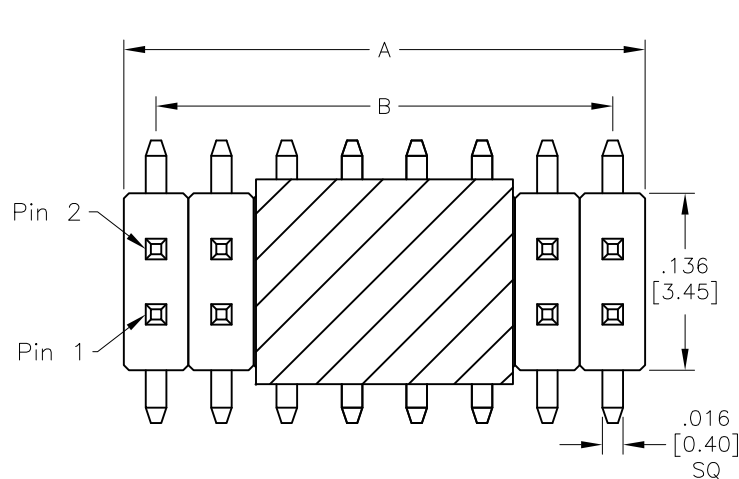


APPROVED: _____
 DATE: _____ TITLE: _____

Rev	AWO #	Description	Date	Appr
-		RELEASED	8/5/11	
A		REDRAWN	9/24/14	HR/AY
B		UPDATED DIM.	5/12/20	LH/RL



SPECIFICATIONS:

Material:
 Insulator: Hi-Temp Thermoplastic, rated UL 94V-0
 Insulator color: Black
 Contacts: Brass
 Plating:
 Gold flash over Nickel underplate overall
 Electrical:
 Current rating: 1 Amps max
 Contact resistance: 20 mohms max
 Insulation resistance: 5,000 Mohms min @ 500 VDC
 Dielectric withstanding voltage: 500 VAC for 1 minute
 Temperature Rating:
 Operating temperature: -40°C to +105°C
 Environmental:
 Lead free, RoHS compliant



PACKAGED ON TAPE & REEL

Positions: 04 thru 100
 A = .050 [1.27] x No. of Positions per Row - .008 [0.20]
 B = .050 [1.27] x No. of Spaces

UNLESS OTHERWISE SPECIFIED
 ALL DIMENSIONS ARE INCHES [MM]
 TOLERANCES: EXCEPT AS NOTED

INCHES		HOLES	
.X	± .10	Ø.X	± .10
.XX	± .020	Ø.XX	± .015
.XXX	± .015	Ø.XXX	± .010

ADAM TECH
 INTERCONNECTS
 909 Rahway Avenue,
 Union, NJ 07083
 Phone: 908-687-5000
 Fax: 908-687-5710

APPROVALS		DATE
DRAWN	AY	8/5/11
CHECKED	CC	8/5/11
APPROVED		

TITLE: .050 [1.27] DUAL ROW PIN HEADER, SMT,
 PICK & PLACE CAPE, GOLD PLATED

SIZE	PART NO.	REV.
X	HPH2-A-XX-UA-SMT-PP-T/R	B
REF: S00059T	SCALE: NTS	SHEET 1 OF 1