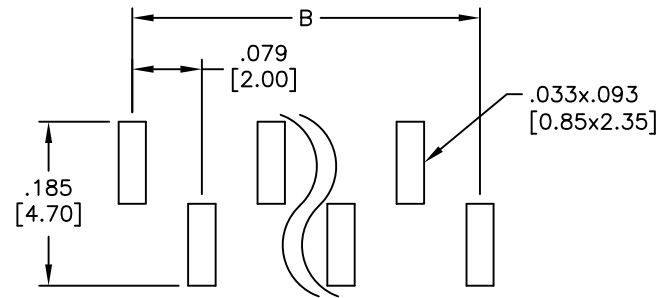
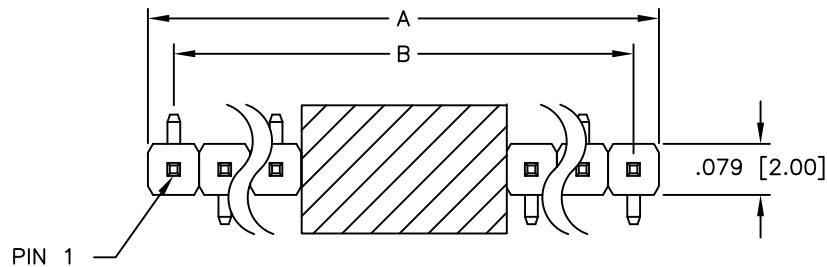
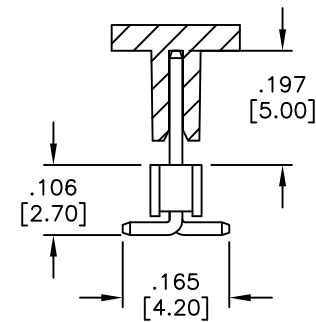
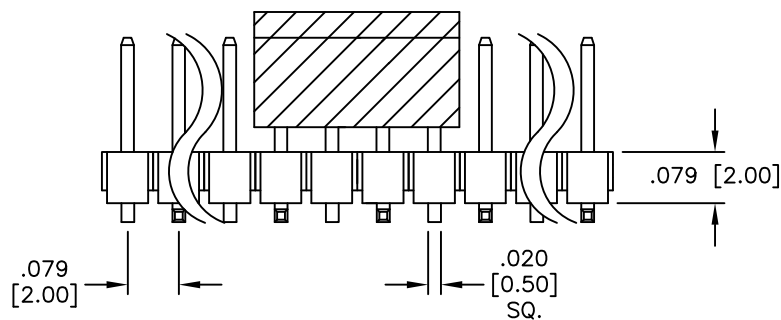


APPROVED: \_\_\_\_\_  
 DATE: \_\_\_\_\_ TITLE: \_\_\_\_\_

Rev	AWO #	Description	Date	Appr
-		RELEASED	11/20/18	



RECOMMENDED PCB LAYOUT



PACKAGED ON TAPE & REEL

Positions: 2 thru 40

A = .079 [2.00] x No. of Positions

B = .079 [2.00] x No. of Spaces

SPECIFICATIONS:

Material:  
 Insulator: Hi-temp thermoplastic, rated UL 94V-0  
 Insulator color: Black  
 Contacts: Brass  
 Plating:  
 Gold flash over Nickel underplate overall  
 Electrical:  
 Current rating: 1 Amp  
 Contact resistance: 20 mohms max  
 Insulation resistance: 5,000 Mohms min @ 500 VDC  
 Temperature Rating:  
 Operating temperature: -40°C to +105°C  
 Environmental:  
 Lead free, RoHS compliant



UNLESS OTHERWISE SPECIFIED  
 ALL DIMENSIONS ARE INCHES [MM]  
 TOLERANCES: EXCEPT AS NOTED

INCHES		HOLES	
.X	± .10	Ø.X	± .10
.XX	± .020	Ø.XX	± .015
.XXX	± .015	Ø.XXX	± .010

**ADAM**  
**TECH**  
**INTERCONNECTS**

909 Rahway Avenue,  
 Union, NJ 07083  
 Phone: 908-687-5000  
 Fax: 908-687-5710

APPROVALS		DATE
DRAWN	AY	11/20/18
CHECKED	LW	11/20/18
APPROVED		

TITLE <b>.079 [2.00] SINGLE ROW PIN HEADER      SURFACE MOUNT, TYPE A, W/ CAP</b>		
SIZE X	PART NO. 2PH1-XX-U-SMT-A-.197-PP-T/R	REV. -
REF: S00059T	SCALE: NTS	SHEET 1 OF 1