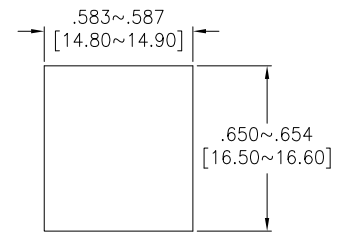
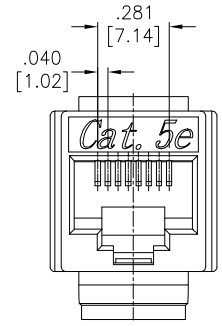
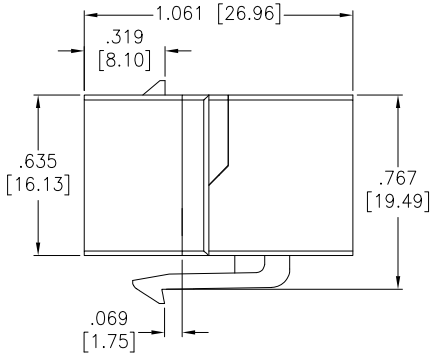
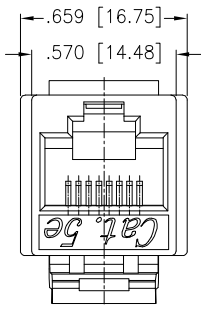
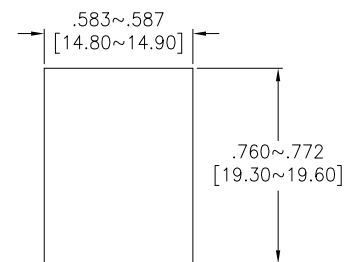


APPROVED: _____
 DATE: _____ TITLE: _____

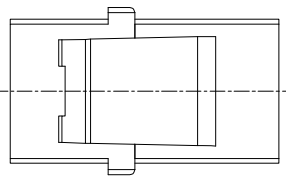
Rev	AWO #	Description	Date	Appr
-		RELEASED	12/14/15	



Front Panel Jack Only Clearance
w/o Latch Feature



Single Panel Jack Only Clearance
Panel Thickness 1.60mm



SPECIFICATIONS:
 Material:
 Insulator: ABS, rated UL 94V-0
 Insulator color: Black
 Contacts: Phosphor Bronze
 Plating:
 Gold over Nickel underplate on contact area,
 Tin over Copper underplate between contact areas
 (See Chart for Thickness)
 Electrical:
 Voltage rating: 125 VAC Rms.
 Current rating: 1.5 Amps max.
 Contact resistance: 40 mohms max.
 Insulation resistance: 1000 Mohms min. @ 500 VDC
 Dielectric withstanding voltage: 1000 VAC for 1 minute
 Temperature Rating:
 Operating temperature: -20°C to +75°C
 Environmenta:
 Leade free, RoHS Compliant

X	PLATING
0	15 µin Gold
1	30 µin Gold
2	50 µin Gold
6	6 µin Gold

UNLESS OTHERWISE SPECIFIED ALL DIMENSIONS ARE MILLIMETERS TOLERANCES: EXCEPT AS NOTED .X ± 2.54 .XX ± .508 .XXX ± .381			<h2 style="text-align: center;">ADAM TECH</h2> <p style="text-align: center;">909 Rahway Avenue, Union, NJ 07083 Phone: 908-687-5000 Fax: 908-687-5710</p>		
APPROVALS		DATE			
DRAWN	AY	12/14/15	MODULAR TELEPHONE JACK COUPLER 8P8C, PANEL MOUNT, CAT 5E, COLOR BLACK		
CHECKED	LL	12/14/15	SIZE	PART NO.	REV.
APPROVED			X	MTJC-88-X-PB-C5E	-
REF: S00279T			SCALE: NTS	SHEET 1 OF 1	

