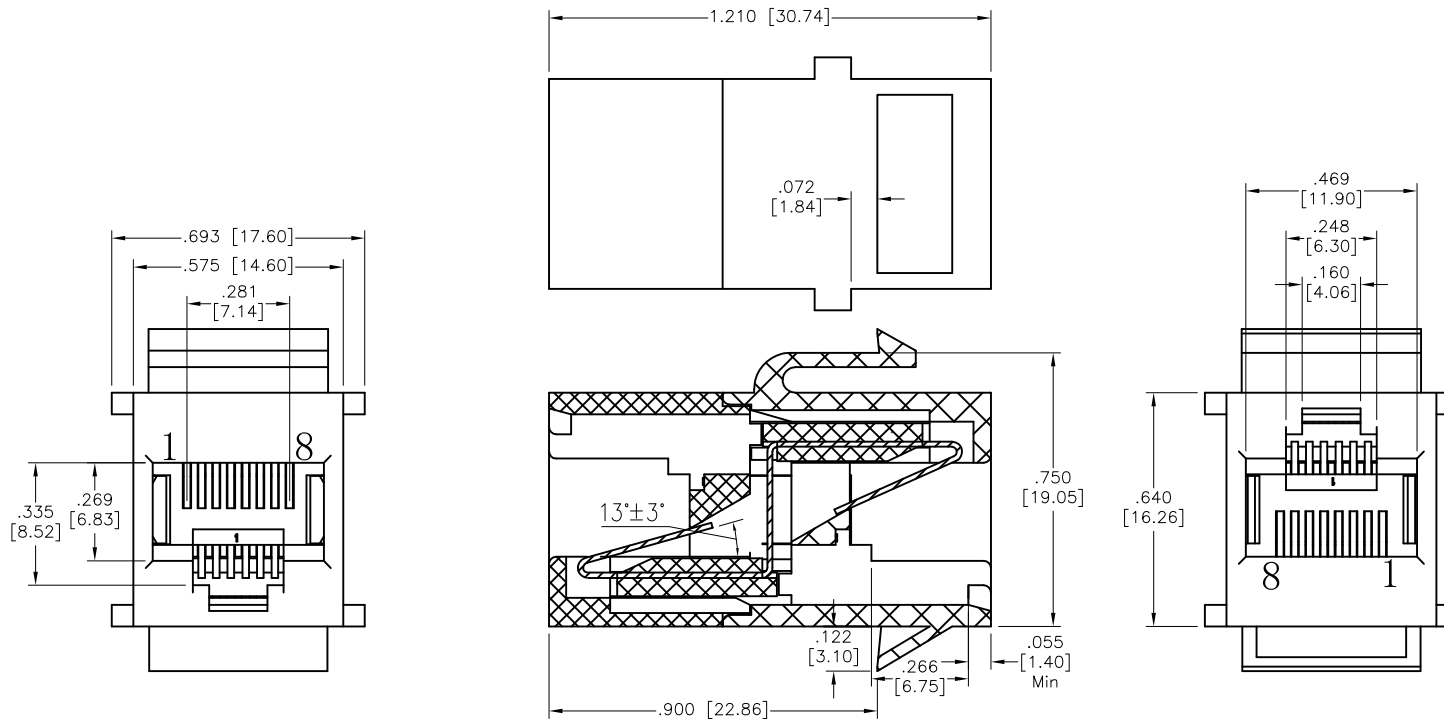


APPROVED: _____

DATE: _____ TITLE: _____

Rev	AWO #	Description	Date	Appr
-		RELEASED	9/19/11	
A		UPDATED DRAWING	10/5/16	HR/AT
B		UPDATED DRAWING	9/11/24	LH/KC



SPECIFICATIONS:

Material:
 Insulator: ABS, rated UL 94V-0
 Insulator color: Black
 Shell: PC

Contacts: Phosphor bronze

Plating:
 Gold Flash over Nickel underplate on contact area,
 Tin over Copper underplate on tails
 (See chart for thickness).

Electrical:
 Rating voltage: 125 VAC RMS
 Current rating: 1.5 Amp
 Contact resistance: 20 mohms max
 Insulation resistance: 1,000 Mohms min @ 500 VDC
 Dielectric withstanding voltage:
 Contact to Contact: 1,000 VDC or AC Peak for 1 minute
 Contact to Shield: 1,500 VDC or AC Peak for 1 minute
 Temperature Rating:
 Operating temperature: 0°C to +70°C
 Environmental:
 Lead free, RoHS compliant.



X	PLATING
0	15 µin Gold
1	30 µin Gold
2	50 µin Gold

UNLESS OTHERWISE SPECIFIED ALL DIMENSIONS ARE INCHES [MM]. TOLERANCES: EXCEPT AS NOTED

INCHES		HOLES	
.X	± .10	ØX	±.10
.XX	± .020	ØXX	±.015
.XXX	± .015	ØXXX	±.010

DRAWN	TW	9/11/24
CHECKED	AY	9/11/24
APPROVED		

THIS DRAWING CONTAINS INFORMATION THAT IS PROPRIETARY AND SHOULD NOT BE USED WITHOUT PRIOR WRITTEN PERMISSION FROM ADAM TECH



909 Rahway Avenue,
 Union, NJ 07083
 Phone: 908-687-5000
 Fax: 908-687-5710

TITLE		MODULAR TELEPHONE JACK COUPLER 8P8C, PANEL MOUNT, LONG TYPE	
SIZE	PART NO.	REV.	
X	MTJC-88-X-B-L	B	
REF:	S00005C	SCALE:	NTS
		SHEET	1 OF 1