

6

5

4

3

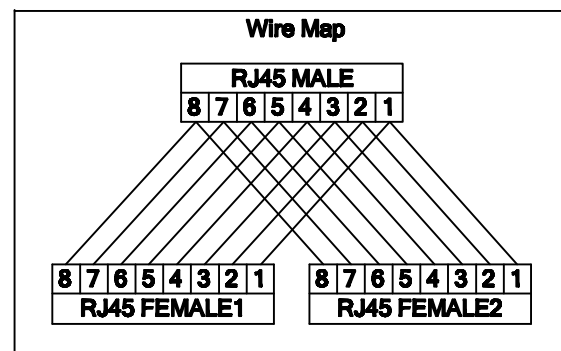
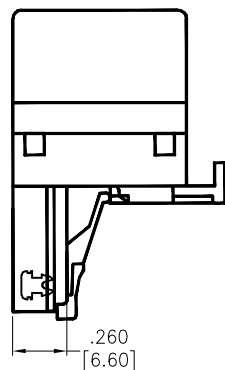
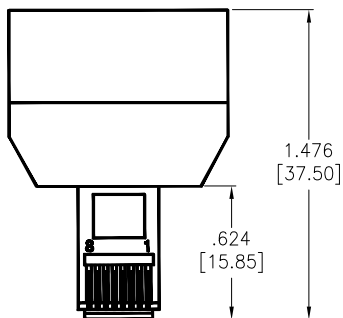
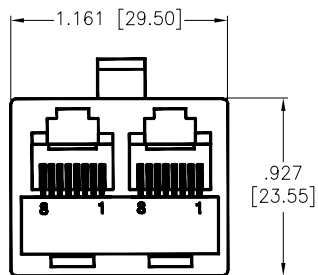
2

1

APPROVED: _____

DATE: _____ TITLE: _____

Rev	AWO #	Description	Date	Appr
-		RELEASED	2/23/22	



X	PLATING
0	15 µIn Gold
1	30 µIn Gold
2	50 µIn Gold
6	6 µIn Gold

SPECIFICATIONS:

Material:
 Insulator: ABS, rated UL 94V-0
 Insulator color: Ivory
 Contacts: Copper Alloy
 Plating:
 Xu" Gold over Nickel underplate on contact area,
 Environmental:
 Leade free, RoHS Compliant



UNLESS OTHERWISE SPECIFIED ALL DIMENSIONS ARE INCHES [MM]. TOLERANCES: EXCEPT AS NOTED

INCHES		HOLES	
.X	± .10	Ø.X	± .10
.XX	± .020	Ø.XX	± .015
.XXX	± .015	Ø.XXX	± .010

DRAWN	LH	2/23/22
CHECKED	NL	2/23/22
APPROVED		

THIS DRAWING CONTAINS INFORMATION THAT IS PROPRIETARY AND SHOULD NOT BE USED WITHOUT PRIOR WRITTEN PERMISSION FROM ADAM TECH



909 Rahway Avenue,
 Union, NJ 07083
 Phone: 908-687-5000
 Fax: 908-687-5710

TITLE
 MODULAR TELEPHONE JACK COUPLER
 8P8C, COLOR IVORY

SIZE X	PART NO. MTJC-2X1-88-IV	REV. -
REF: S00018T	SCALE: NTS	SHEET 1 OF 1

6

5

4

3

2

1