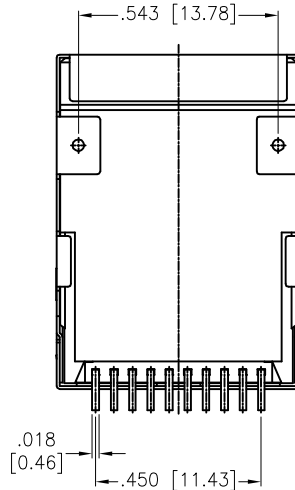
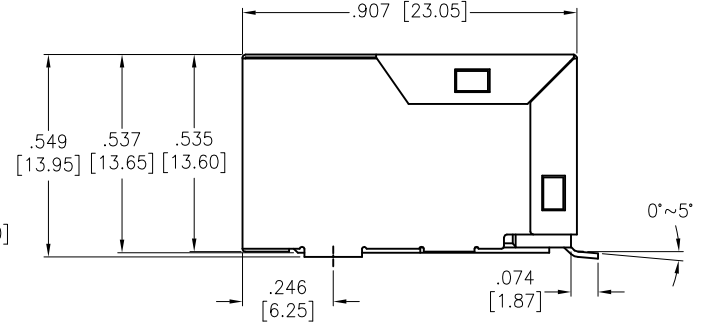
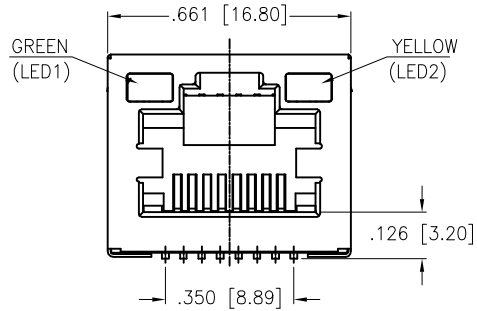
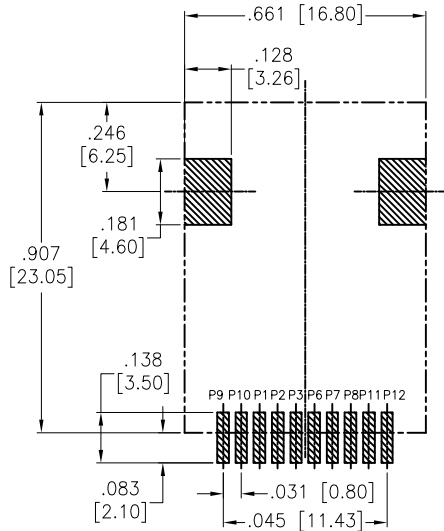


APPROVED: _____
 DATE: _____ TITLE: _____

Rev	AWO #	Description	Date	Appr
-		RELEASED	5/3/17	



X	PLATING
0	15 µin Gold
1	30 µin Gold
2	50 µin Gold
6	6 µin Gold

SPECIFICATIONS:

Material:
 Housing: Hi-Temp Thermoplastic, rated UL 94V-0
 Housing Color: Black
 Inserter: Hi-Temp Thermoplastic, rated UL 94V-0
 Inserter Color: Black
 Contacts: Copper Alloy
 Shield: Brass, Nickel plated

Plating:
 Round contact
 Gold over Nickel underplate overall
 Flat contact
 Gold over Nickel underplate on contact area,
 Tin over Nickel underplate on solder tails
 (See chart for thickness)

Electrical:
 Voltage rating: 150 VAC
 Contact Resistance: 20 mohms max.
 Insulation resistance: 500 Mohms min
 Dielectric withstanding voltage: 1,500VAC or 2,250VDC for 1 minute
 Temperature Rating:
 Operating temperature: 0°C to +70°C
 Environmental:
 Lead free, RoHS compliant.



UNLESS OTHERWISE SPECIFIED
 ALL DIMENSIONS ARE INCHES [MM]
 TOLERANCES: EXCEPT AS NOTED

INCHES		HOLES	
.X	± .10	Ø.X	± .10
.XX	± .020	Ø.XX	± .015
.XXX	± .015	Ø.XXX	± .010

APPROVALS		DATE
DRAWN	HR	5/3/17
CHECKED	MY	5/3/17
APPROVED		

ADAM TECH

909 Rahway Avenue, Union, NJ 07083
 Phone: 908-687-5000 Fax: 908-687-5710

TITLE: MODULAR TELEPHONE JACK, 1 PORT, 8P8C
 W/ LED1 GREEN, LED2 YELLOW, NO PEG

SIZE	PART NO.	REV.
X	MTJ-88TULX1-FS-NP-LH-SMT-M163C	-
REF: S00005C	SCALE: NTS	SHEET 1 OF 2

6

5

4

3

2

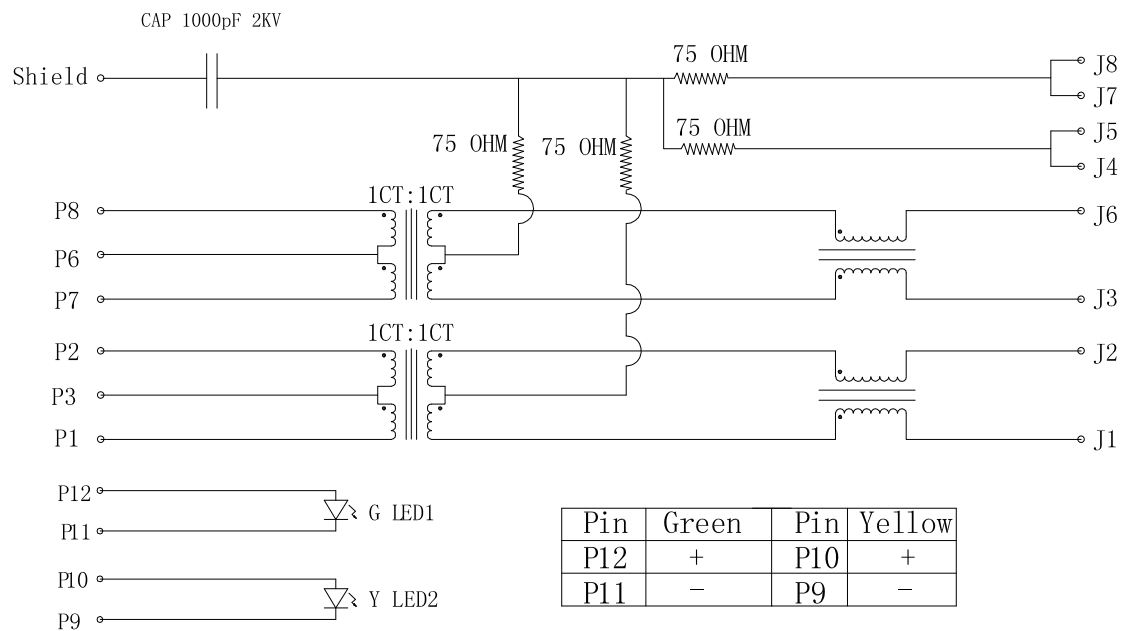
1

APPROVED: _____

DATE: _____ TITLE: _____

Rev	AWO #	Description	Date	Appr
-----	-------	-------------	------	------

SEE SHT 1 OF 2 FOR REVISION



Electronical Specifications:

- Turn Ratio @100KHz: (P3~P5):(J1~J2) = 1:1±5%
(P6~P8):(J3~J6) = 1:1±5%
- Primary Inductance: 350uH MIN @100KHZ,0.1V 8mA DC BIAS
- DC Resistance:(J1~J2):(J3~J6) 1.2 OHMS MAX
- Insertion Loss: 1-100MHz -1.2dB MAX
- Return Loss: 1-30MHz -16dB MIN
30-60MHz -12dB MIN
60-80MHz -10dB MIN
- CROSS TALK: 1-100MHz -30dB MIN
- COMMON TO COMMON MODE ATTENUATION: 1-100MHz -30dB MIN
- Isolation: PHY Side to Line Side: 1500VAC or 2250VDC

UNLESS OTHERWISE SPECIFIED
ALL DIMENSIONS ARE INCHES [MM]
TOLERANCES: EXCEPT AS NOTED

INCHES		HOLES	
.X	± .10	Ø.X	±.10
.XX	± .020	Ø.XX	±.015
.XXX	± .015	Ø.XXX	±.010

ADAM TECH

909 Rahway Avenue, Union, NJ 07083
Phone: 908-687-5000 Fax: 908-687-5710

APPROVALS		DATE
DRAWN	HR	5/3/17
CHECKED	MY	5/3/17
APPROVED		

TITLE		
MODULAR TELEPHONE JACK, 1 PORT, 8P8C W/ LED1 GREEN, LED2 YELLOW, NO PEG		
SIZE	PART NO.	REV.
X	MTJ-88TULX1-FS-NP-LH-SMT-M163C	-
REF:	S00005C	SCALE: NTS
		SHEET 2 OF 2

6

5

4

3

2

1