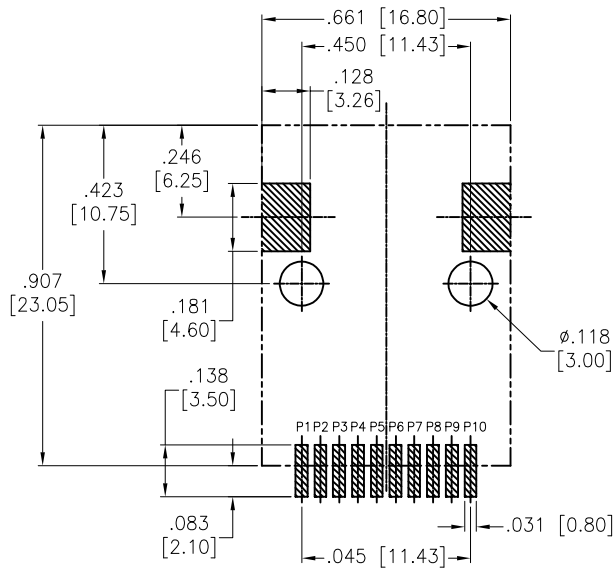


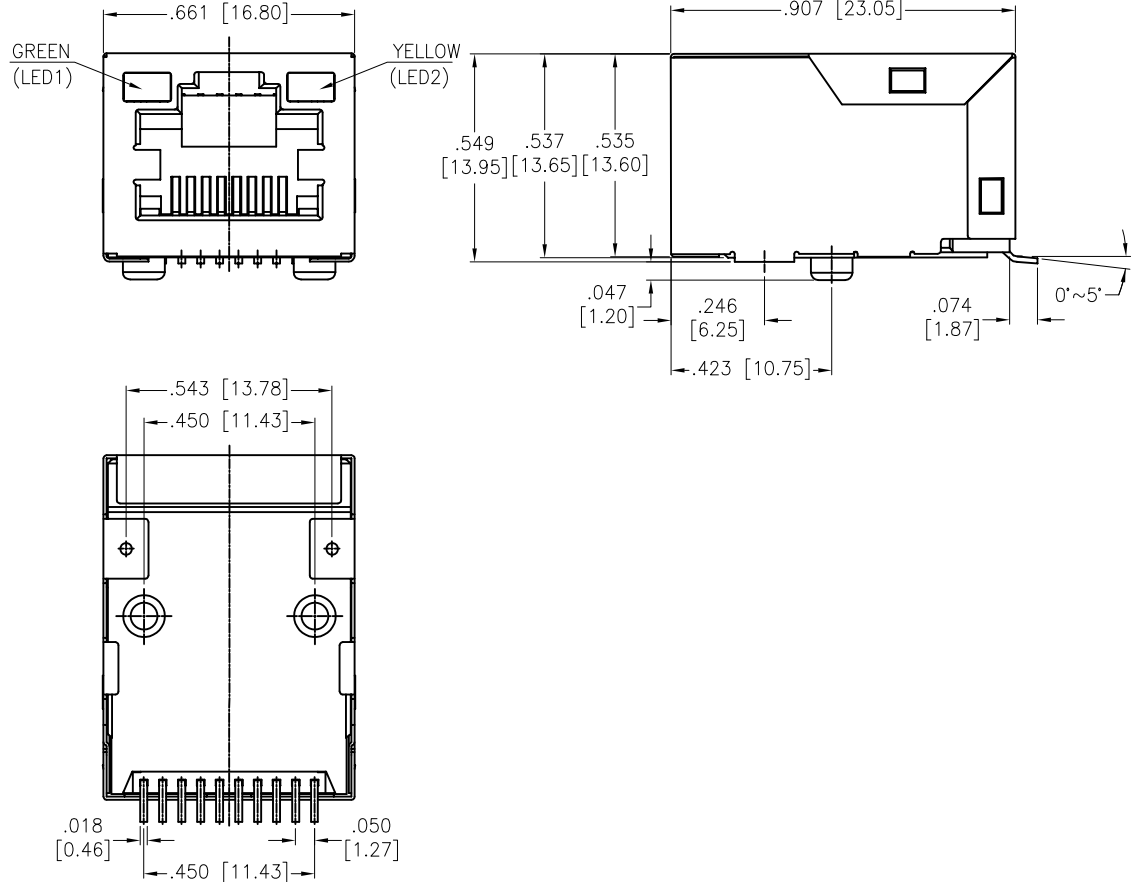
APPROVED: _____

DATE: _____ TITLE: _____

Rev	AWO #	Description	Date	Appr
-		RELEASED	3/1/21	
A		UPDATE DIM	3/7/22	WX/LW
B		ADDED PACKING	3/18/22	JJ/LW
C		UPDATED PACKING	3/26/24	JJ/LW



RECOMMENDED PCB LAYOUT



SPECIFICATIONS:

Material:
Housing: Hi-Temp Thermoplastic, rated UL 94V-0
Housing Color: Black
Inserter: Hi-Temp Thermoplastic, rated UL 94V-0
Inserter Color: Black
Contacts: Copper Alloy
Shield: Brass, Nickel plated
Plating:
Round contact
Gold over Nickel underplate overall
Flat contact
Gold over Nickel underplate on contact area,
Tin over Nickel underplate on solder tails
Electrical:
Voltage rating: 150 VAC
Contact Resistance: 20 mohms max
Insulation resistance: 500 Mohms min
Dielectric withstanding voltage: 1500 VAC or 2250 VDC
Temperature Rating:
Operating temperature: -40°C to +85°C
Environmental:
Lead free, RoHS compliant.



PACKAGED ON TAPE & REEL

UNLESS OTHERWISE SPECIFIED ALL DIMENSIONS ARE INCHES [MM]. TOLERANCES: EXCEPT AS NOTED		
INCHES	HOLES	
X ± .10	ØX ± .10	
.XX ± .020	ØXX ± .015	
.XXX ± .015	ØXXX ± .010	
DRAWN	LH	3/1/21
CHECKED	LW	3/1/21
APPROVED		
THIS DRAWING CONTAINS INFORMATION THAT IS PROPRIETARY AND SHOULD NOT BE USED WITHOUT PRIOR WRITTEN PERMISSION FROM ADAM TECH		

ADAM TECH 909 Rahway Avenue,
Union, NJ 07083
Phone: 908-687-5000
Fax: 908-687-5710

TITLE: MODULAR TELEPHONE JACK, 1 PORT, 8P8C
W/ LED1 GREEN, LED2 YELLOW

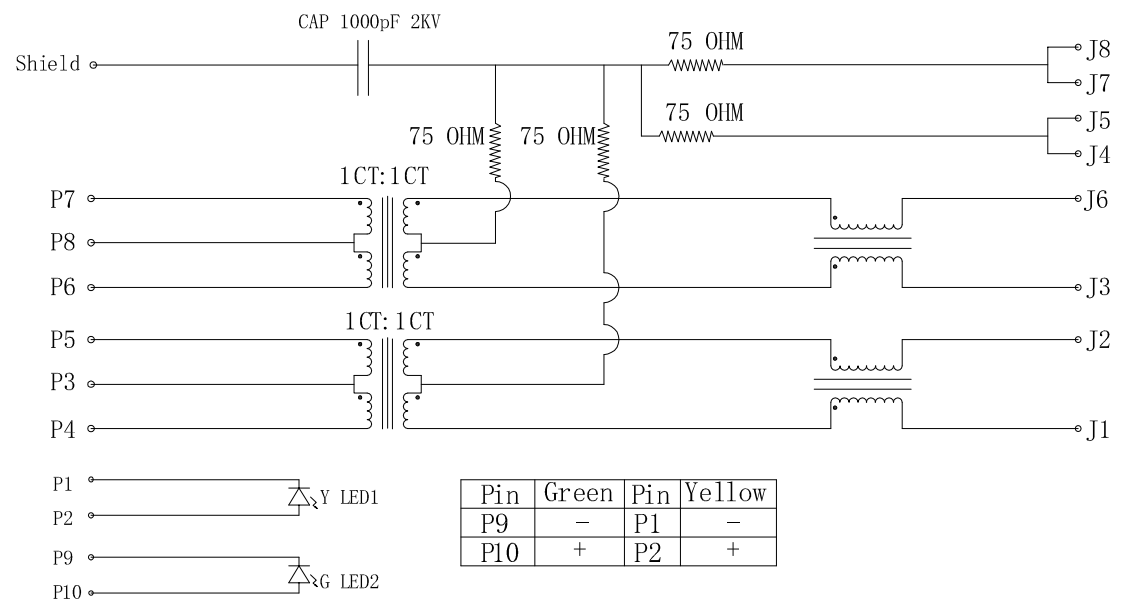
SIZE	PART NO.	REV.
X	MTJ-88TULX1-FS-LH-SMT-M327C-WOT-T/R	C

REF: S00005C SCALE: NTS SHEET 1 OF 3

APPROVED: _____

DATE: _____ TITLE: _____

Rev	AWO #	Description	Date	Appr
SEE SHT 1 OF 3 FOR REVISION				



Pin	Green	Pin	Yellow
P9	-	P1	-
P10	+	P2	+

Electronical Specifications:

- Turn Ratio @100KHz: (P4~P5):(J1~J2) = 1:1±5%
(P6~P7):(J3~J6) = 1:1±5%
- Primary Inductance: 350uH MIN @100KHZ,0.1V 8mA DC BIAS
- DC Resistance:(J1~J2):(J3~J6) 1.2 OHMS MAX
- Insertion Loss: 1-100MHz -1.2dB MAX
- Return Loss: 1-30MHz -16dB MIN
30-60MHz -12dB MIN
60-80MHz -10dB MIN
- CROSS TALK: 1-100MHz -30dB MIN
- COMMON TO COMMON MODE ATTENUATION: 1-100MHz -30dB MIN
- Isolation: PHY Side to Line Side: 1500VAC or 2250VDC

UNLESS OTHERWISE SPECIFIED ALL DIMENSIONS ARE INCHES [MM]. TOLERANCES: EXCEPT AS NOTED		
INCHES	HOLES	
X ± .10	ØX ± .10	
.XX ± .020	Ø.XX ± .015	
.XXX ± .015	Ø.XXX ± .010	
DRAWN	LH	3/1/21
CHECKED	LW	3/1/21
APPROVED		
THIS DRAWING CONTAINS INFORMATION THAT IS PROPRIETARY AND SHOULD NOT BE USED WITHOUT PRIOR WRITTEN PERMISSION FROM ADAM TECH		

ADAM TECH

909 Rahway Avenue,
Union, NJ 07083
Phone: 908-687-5000
Fax: 908-687-5710

TITLE: MODULAR TELEPHONE JACK, 1 PORT, 8P8C
W/ LED1 GREEN, LED2 YELLOW

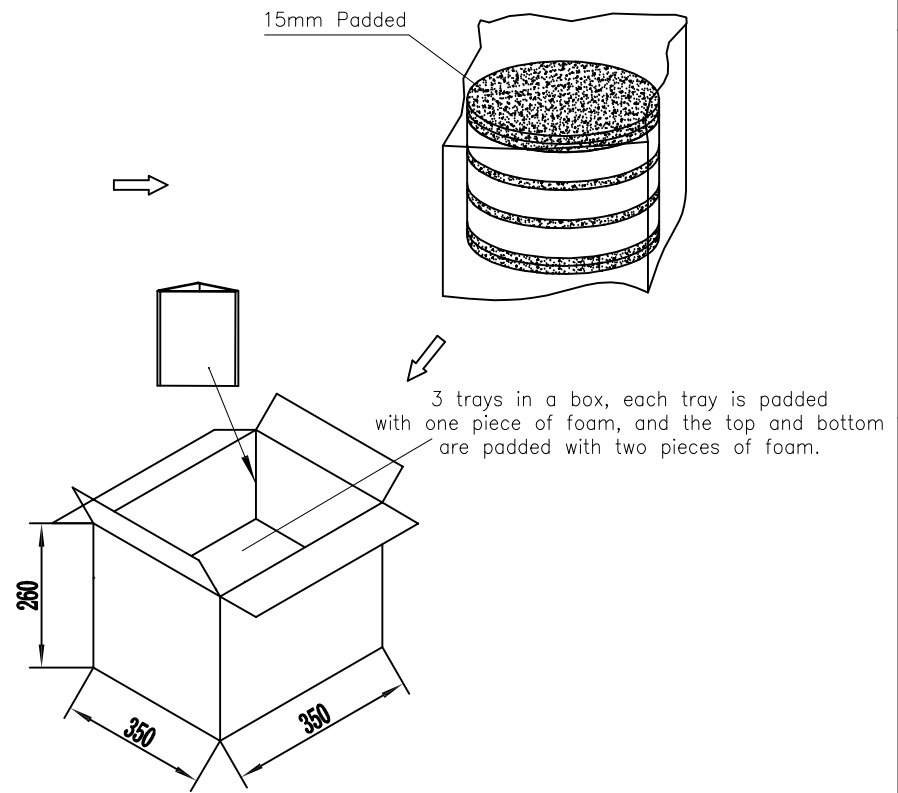
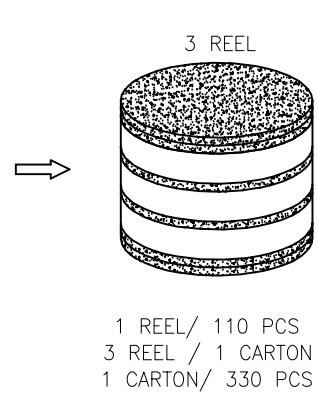
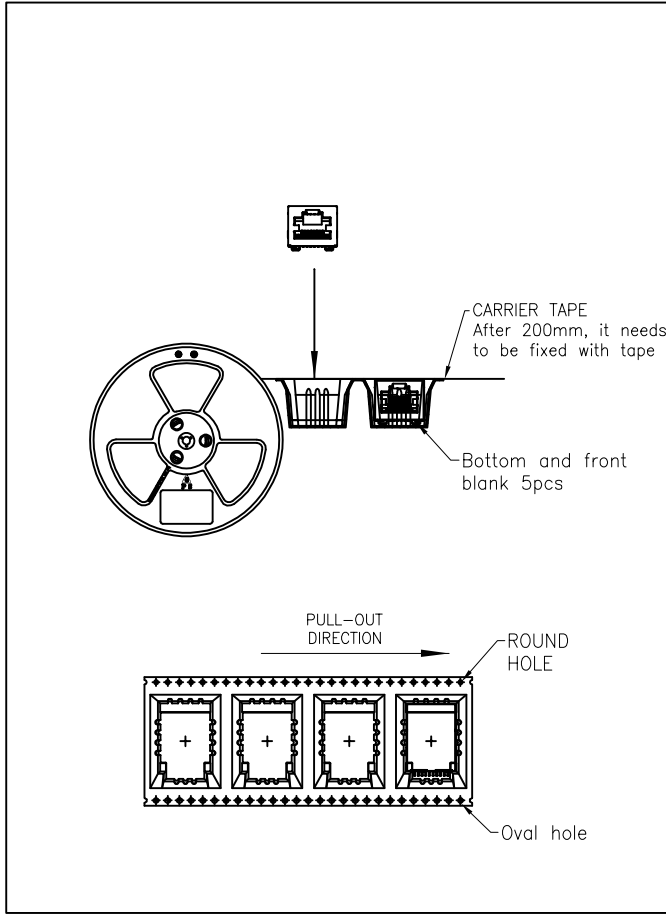
SIZE	PART NO.	REV.
X	MTJ-88TULX1-FS-LH-SMT-M327C-WOT-T/R	C

REF: S00005C SCALE: NTS SHEET 2 OF 3

APPROVED: _____

DATE: _____ TITLE: _____

Rev	AWO #	Description	Date	Appr
SEE SHT 1 OF 3 FOR REVISION				



UNLESS OTHERWISE SPECIFIED ALL DIMENSIONS ARE INCHES [MM]. TOLERANCES: EXCEPT AS NOTED

INCHES		HOLES	
.X	± .10	∅.X	± .10
.XX	± .020	∅.XX	± .015
.XXX	± .015	∅.XXX	± .010

DRAWN	JJ	3/18/22
CHECKED	LW	3/18/22
APPROVED		

THIS DRAWING CONTAINS INFORMATION THAT IS PROPRIETARY AND SHOULD NOT BE USED WITHOUT PRIOR WRITTEN PERMISSION FROM ADAM TECH

ADAM TECH

909 Rahway Avenue,
Union, NJ 07083
Phone: 908-687-5000
Fax: 908-687-5710

TITLE	MODULAR TELEPHONE JACK, 1 PORT, 8P8C W/ LED1 GREEN, LED2 YELLOW		
SIZE	PART NO.	REV.	
X	MTJ-88TULX1-FS-LH-SMT-M327C-WOT-T/R	C	
REF:	S00005C	SCALE:	NTS
			SHEET 3 OF 3