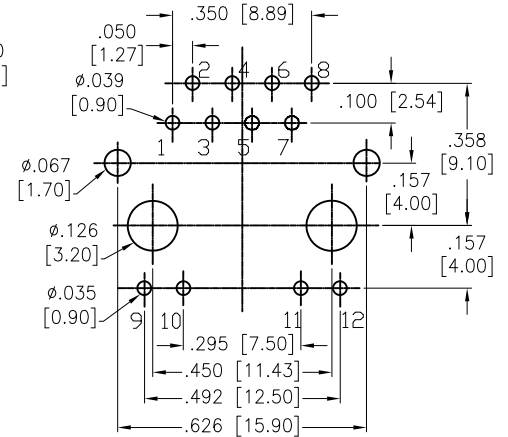
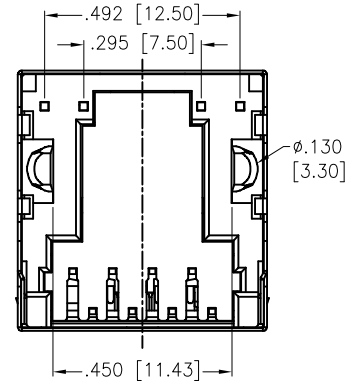
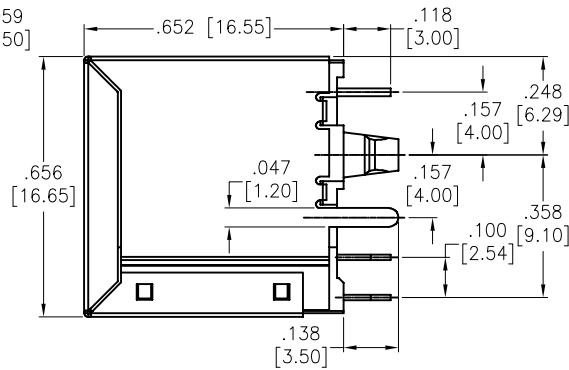
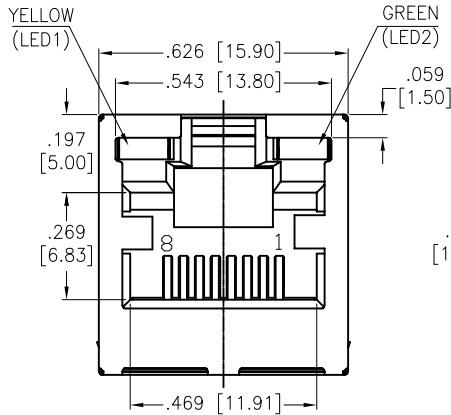
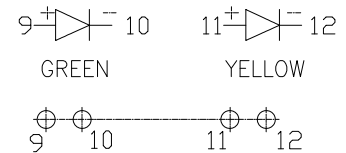


APPROVED: _____
 DATE: _____ TITLE: _____

Rev	AWO #	Description	Date	Appr
-		RELEASED	4/21/16	
A		UPDATE SPEC.	12/3/19	OW/KL
B		UPDATE SPEC.	3/5/20	OW/RC



RECOMMENDED PCB LAYOUT



LED COLOR DISPLAY

SPECIFICATIONS:

Material:
 Insulator: PBT, rated UL 94V-0
 Insulator color: Black
 Contacts: Phosphor Bronze, T=0.35MM
 Shield: Brass, T=0.20MM, Nickel plated
 Contact Plating:
 Round contact
 Gold over Nickel underplate overall
 Flat contact
 Gold over Nickel underplate on contact area
 Matte Tin over Nickel underplate on solder tails

Electrical:
 Voltage rating: 125 VAC RMS
 Current rating: 1.5 Amp
 Contact Resistance: 20 mohms max.
 Insulation resistance: 1,000 Mohms min @ 500 VDC
 Dielectric withstanding voltage: 1,000 VAC or 1,500 VDC for 1 minute
 Temperature Rating:
 Operating temperature: -40°C to +85°C
 Environmental:
 Lead free, RoHS compliant.



UNLESS OTHERWISE SPECIFIED
 ALL DIMENSIONS ARE INCHES [MM]
 TOLERANCES: EXCEPT AS NOTED
 INCHES HOLES
 .X ± .10 Ø.X ± .10
 .XX ± .020 Ø.XX ± .015
 .XXX ± .015 Ø.XXX ± .010

APPROVALS		DATE
DRAWN	HR	4/21/16
CHECKED	MW	4/21/16
APPROVED		

ADAM TECH INTERCONNECTS 909 Rahway Avenue,
 Union, NJ 07083
 Phone: 908-687-5000
 Fax: 908-687-5710

TITLE		
MODULAR TELEPHONE JACK, 8P8C, TOP ENTRY, PCB, FULL SHIELD, WITH LED1 YELLOW, LED2 GREEN		
SIZE	PART NO.	REV.
X	MTJ-88AFX1-FSI-LG	B
REF:	S00005C	SCALE: NTS
		SHEET 1 OF 1