

Rev	AWO #	Description	Date	Appr
-		RELEASED	12/16/13	

6

5

4

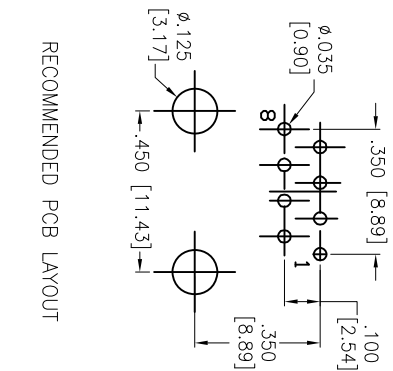
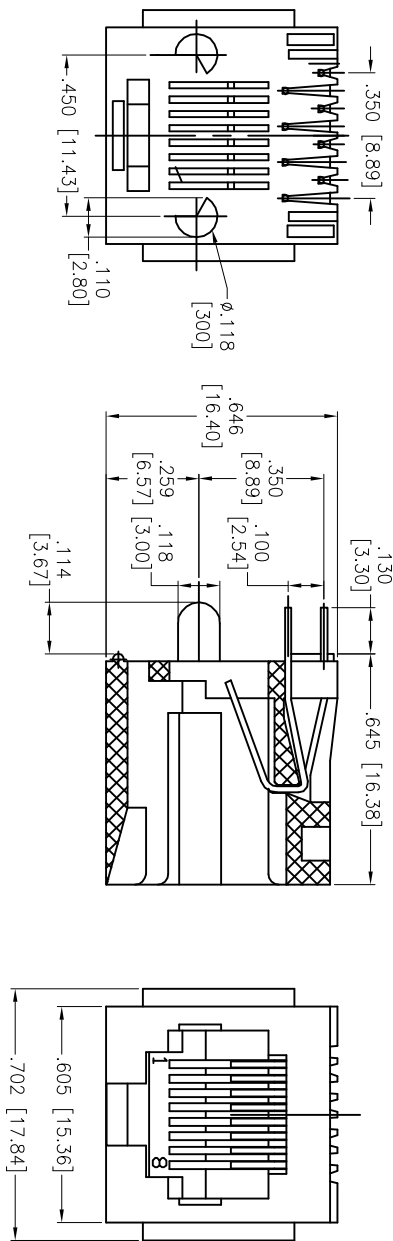
3

2

1

APPROVED: \_\_\_\_\_

DATE: \_\_\_\_\_ TITLE: \_\_\_\_\_



RECOMMENDED PCB LAYOUT

## SPECIFICATIONS:

Material:

Insulator: PBT, rated UL 94V-0

Insulator color: Yellow, P114C follow Pantone color

Contacts: Phosphor Bronze

Plating:

Gold over Nickel underplate on contact area,

Tin over Copper underplate on PCB tails

Electrical:

Operating voltage: 125 VAC max

Current rating: 1.5 Amps max

Contact resistance: 20 mohms max

Insulation resistance: 1,000 Mohms min @ 500 VDC

Dielectric withstanding voltage: 1,000 VAC for 1 minute

Temperature Rating:

Operating temperature: -40°C to +85°C

Environmental:

Lead free, RoHS compliant.



UNLESS OTHERWISE SPECIFIED  
ALL DIMENSIONS ARE INCHES [MM]  
TOLERANCES: EXCEPT AS NOTED  
INCHES HOLEES  
.X ± .10 ØXX ± .10  
.XX ± .020 ØXXX ± .015  
.XXX ± .015 ØXXXX ± .010

TITLE  
MODULAR TELEPHONE JACK, 8P8C  
TOP ENTRY, MOON PEG, YELLOW P114C

**ADAM TECH**

909 Railway Avenue, Union, NJ 07083

Phone: 908-687-5000 Fax: 908-687-5710

APPROVALS	DATE	SIZE	PART NO.	REV.
DRAWN	HR	12/16/13	MTJ-883X1-MP-P114C	-
CHECKED	GC	12/16/13		
APPROVED				

A

B

C

D

6

5

4

3

2

1