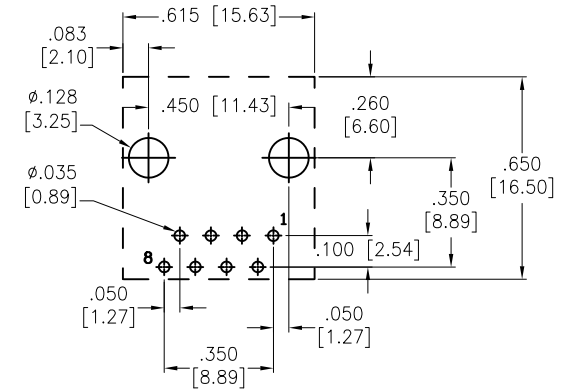
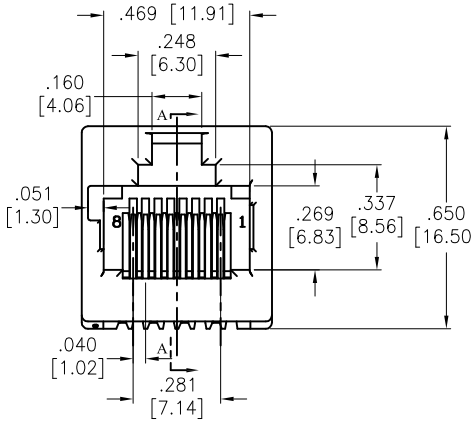
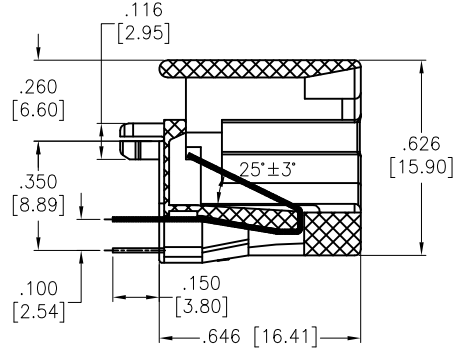
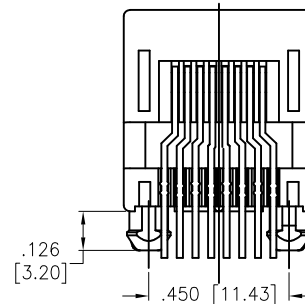


APPROVED: _____
 DATE: _____ TITLE: _____

Rev	AWO #	Description	Date	Appr
-		RELEASED	4/26/17	
A		UPDATE DRAWING	11/4/19	LH/KL
B		UPDATE DRAWING	10/16/20	LH/LL1



RECOMMENDED PCB LAYOUT



SPECIFICATIONS:

Material:

Insulator: PBT, rated UL 94V-0

Insulator color: Black

Contacts: Phosphor Bronze

Contacts Plating:

Round contact

Gold over Nickel underplate overall

Flat contact

Gold over Nickel underplate on contact area,

Tin over Nickel underplate on solder tails

Electrical:

Voltage rating: 150 VAC RMS

Current rating: 1.5 Amp

Contact resistance: 20 mohms max

Insulation resistance: 1000 Mohms min @ 500 VDC

Dielectric withstanding voltage:

1,000 VDC or AC Peak One Contact to All Other Contact Connected Together

Temperature Rating:

Operating temperature: -40°C to +85°C

Environmental:

Lead free, RoHS compliant.



UNLESS OTHERWISE SPECIFIED ALL DIMENSIONS ARE INCHES [MM] TOLERANCES: EXCEPT AS NOTED			
INCHES HOLES			
.X	± .10	Ø.X	± .10
.XX	± .020	Ø.XX	± .015
.XXX	± .015	Ø.XXX	± .010
APPROVALS		DATE	
DRAWN	AY	4/26/17	
CHECKED	RT	4/26/17	
APPROVED			

ADAM TECH INTERCONNECTS 909 Rahway Avenue,
 Union, NJ 07083
 Phone: 908-687-5000
 Fax: 908-687-5710

TITLE MODULAR TELEPHONE JACK, 8P8C VERTICAL, PCB, NO FLANGE, W/ KEY			
SIZE X	PART NO. MTJ-883BX1-N-K	REV. B	
REF: S00005C	SCALE: NTS	SHEET 1 OF 1	