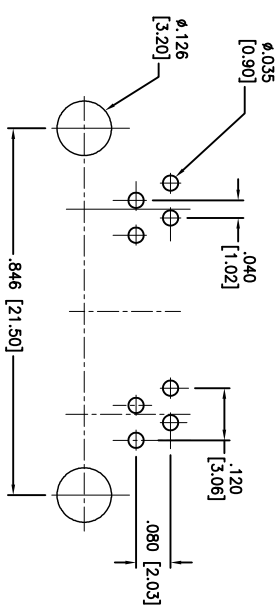
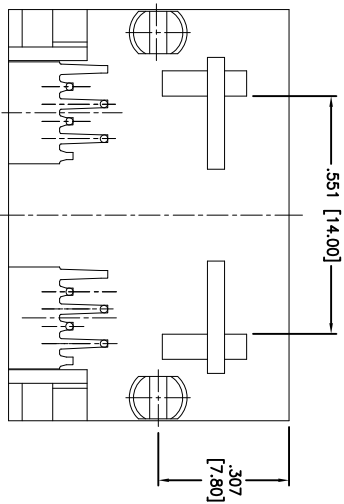
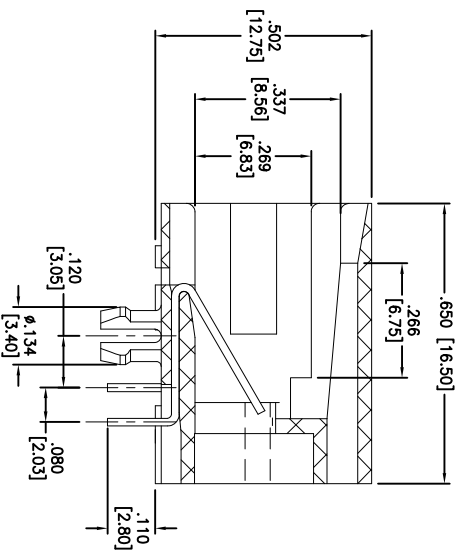
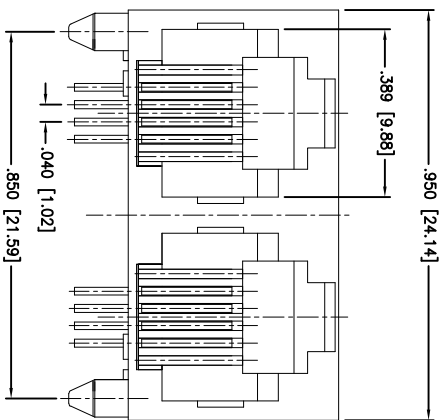


Rev	AWO #	Description	Date	Appr
-		RELEASED	4/25/11	

APPROVED: _____ TITLE: _____
 DATE: _____



RECOMMENDED PCB LAYOUT

SPECIFICATIONS:

Material: Insulator: PBT, glass reinforced, rated UL 94V-0
 Insulator color: Black
 Contacts: Phosphor Bronze
 Contact Plating: Gold Flash over Nickel underplate on contact area, Tin over Copper underplate on tails
 (See chart for thickness).

X	PLATING
0	15 µin Gold
1	30 µin Gold
2	50 µin Gold

Electrical:

Operating voltage: 150 VAC max
 Current rating: 1.5 Amps max
 Contact Resistance: 20 mohms max. initial
 Insulation resistance: 1000 Mohms min @ 500 VDC
 Dielectric withstanding voltage: 1000 VAC for 1 minute
 Temperature Rating: Operating temperature: -40°C to +85°C
 Environmental: Lead free, RoHS compliant.



ADAM TECH

909 Ratway Avenue, Union, NJ 07083
 Phone: 908-687-5000 Fax: 908-687-5710

MODULAR JACK GANGED, 2 PORT, 6P4C

UNLESS OTHERWISE SPECIFIED ALL DIMENSIONS ARE INCHES. [MM]		TITLE	
TOLERANCES: EXCEPT AS NOTED		MODULAR JACK GANGED, 2 PORT, 6P4C	
INCHES		PART NO.	
HOLES		MTJG-264ATX1-A	
.X ± .10	Ø.X ± .10	SIZE	REV.
.XX ± .020	Ø.XXX ± .015	X	
.XXX ± .015	Ø.XXX ± .010	REF: S0005C	
APPROVALS		SCALE: NTS	SHEET 1 OF 1
DRAWN AY	DATE 4/25/11		
CHECKED VW	DATE 4/25/11		
APPROVED			

6 5 4 3 2 1

6 5 4 3 2 1