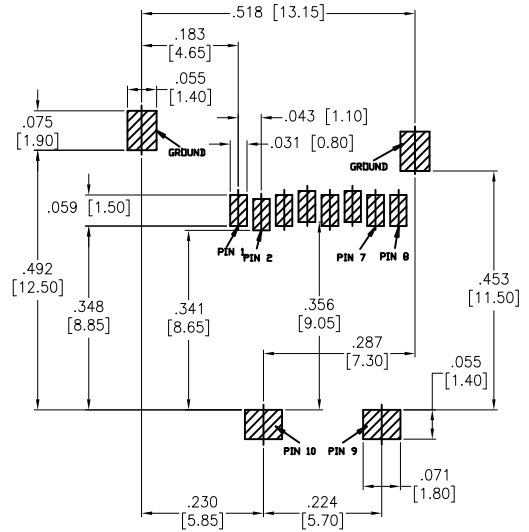
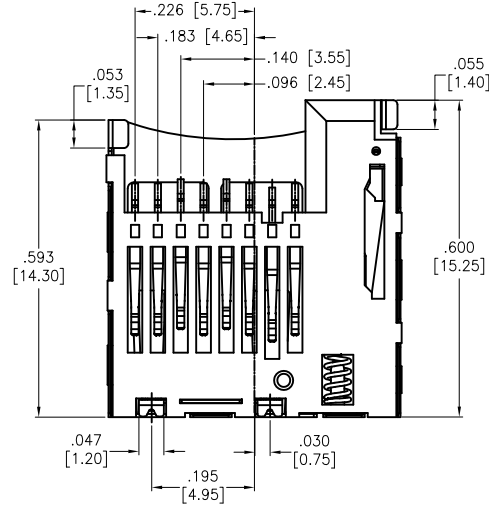
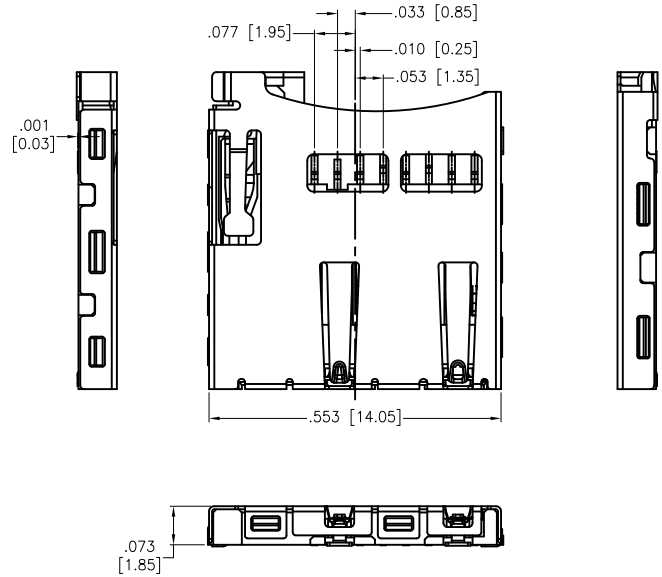
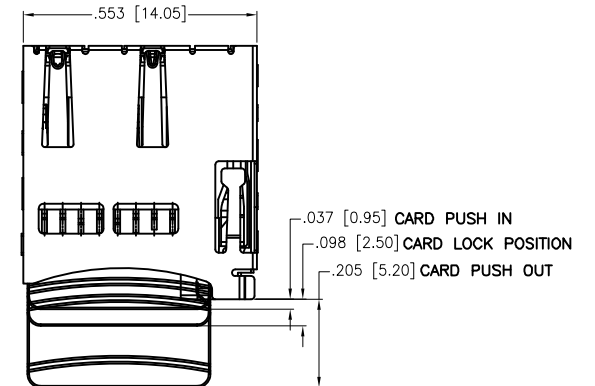


APPROVED: _____
 DATE: _____ TITLE: _____

| Rev | AWO # | Description | Date | Appr |
|-----|-------|----------------|----------|-------|
| - | | RELEASED | 10/30/14 | |
| A | | UPDATE DRAWING | 3/14/19 | AY/KC |



RECOMMENDED PCB LAYOUT



SCALE 8:1

SPECIFICATIONS:

Material:
 Insulator: Hi.-temp plastic, rated UL 94V-0
 Insulator color: Black
 Contact: Copper Alloy
 Shell: Stainless Steel
 Link: Stainless Steel
 Spring: Paino Wire
Plating:
 Gold over Nickel underplate on contact area,
 Tin over Copper underplate on solder tails
Electrical:
 Current rating: 0.5 Amp max
 Contact resistance: 100 mohms max
 Insulation resistance: 1000 Mohms min
 Dielectric withstanding voltage: 500 VAC for 1 minute
 Temperature Rating:
 Operating temperature: -20°C to +85°C
 Environmental:
 Lead free, RoHS compliant.



| Pin No. | MICRO SD |
|---------|-------------|
| PIN1 | DAT2 1P |
| PIN2 | CD/DAT3 2P |
| PIN3 | CMD 3P |
| PIN4 | VDD 4P |
| PIN5 | CLK 5P |
| PIN6 | VSS 6P |
| PIN7 | DAT0 7P |
| PIN8 | DAT1 8P |
| PIN9 | CARD DETECT |
| PIN10 | |

UNLESS OTHERWISE SPECIFIED
 ALL DIMENSIONS ARE INCHES [MM]
 TOLERANCES: EXCEPT AS NOTED
 INCHES HOLES

| | |
|-------------|--------------|
| .X ± .10 | Ø.X ± .10 |
| .XX ± .020 | Ø.XX ± .015 |
| .XXX ± .015 | Ø.XXX ± .010 |

| APPROVALS | | DATE |
|-----------|----|----------|
| DRAWN | AY | 10/30/14 |
| CHECKED | RT | 10/30/14 |
| APPROVED | | |

ADAM TECH
 INTERCONNECTS
 909 Rahway Avenue,
 Union, NJ 07083
 Phone: 908-687-5000
 Fax: 908-687-5710

| | | |
|--|----------------------------|--------------|
| TITLE MICRO SD (T-FLASH) CARD SOCKET 8 PIN | | |
| SIZE X | PART NO. MCSP-T-08-A-SG | REV. A |
| REF: S00275T | SCALE: NTS | SHEET 1 OF 1 |