

APPROVED: _____
 DATE: _____ TITLE: _____

| Rev | AWO # | Description | Date | Appr |
|-----|-------|---------------|---------|-------|
| - | | RELEASED | 3/5/13 | |
| A | | REVISED SHAPE | 3/7/13 | |
| B | | REVISED DIM. | 1/14/16 | AY/MY |

D

D

C

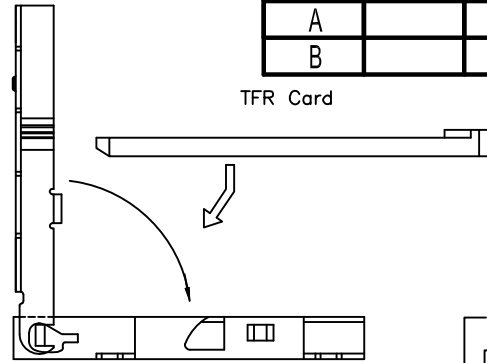
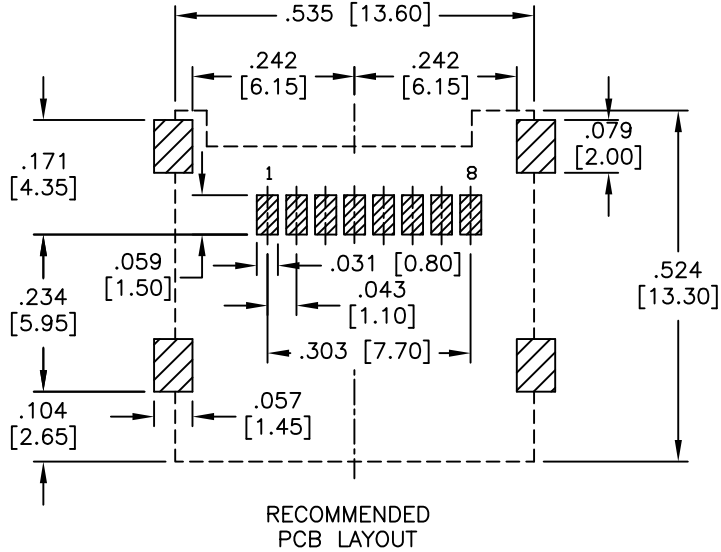
C

B

B

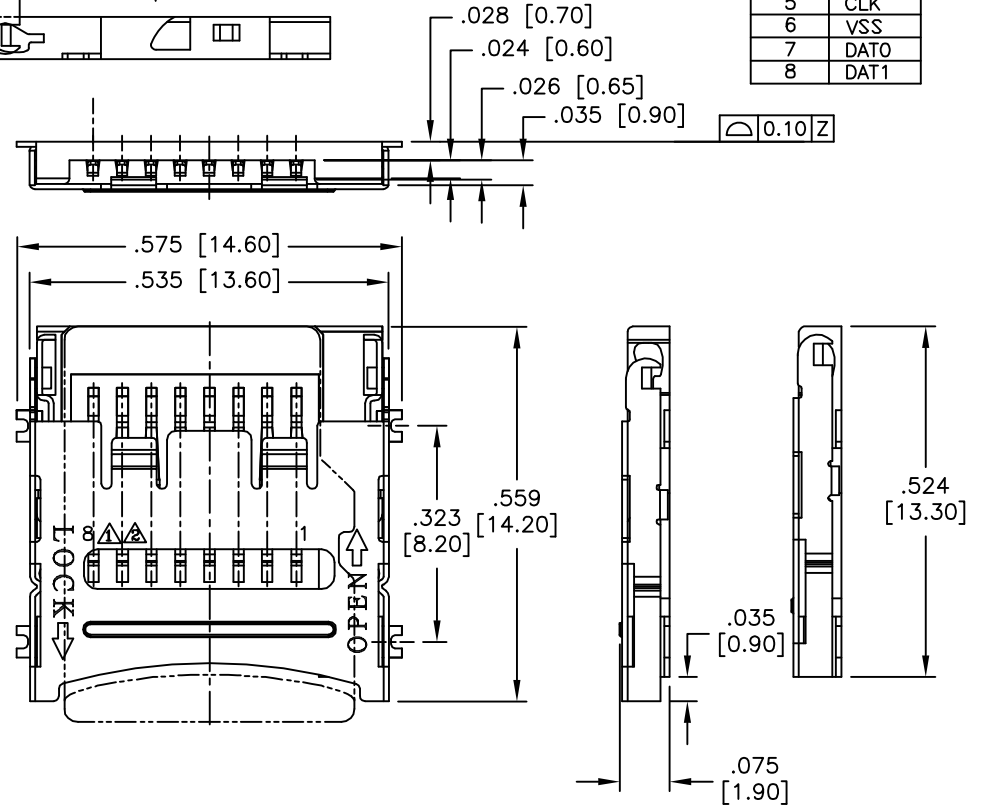
A

A



Pin Assignment Table

| Pin No. | Name |
|---------|---------|
| 1 | DAT2 |
| 2 | CD/DAT3 |
| 3 | CMD |
| 4 | VDD |
| 5 | CLK |
| 6 | VSS |
| 7 | DAT0 |
| 8 | DAT1 |



SPECIFICATIONS:
 Material:
 Insulator: Hi-temp thermoplastic, rated UL 94V-0
 Insulator color: Black
 Contacts: Copper Alloy
 Shell: Stainless steel
 Plating:
 Gold over Nickel underplate on contact area,
 Tin over Copper underplate on PCB tails
 Electrical:
 Current rating: 0.5 Amps max. DC
 Voltage rating: 100V max. DC
 Contact resistance: 100 mohms max
 Insulation resistance: 1000 Mohms min @ 500 VDC
 Dielectric withstanding voltage: 500 VAC for 1 minute
 Temperature Rating:
 Operating temperature: -40°C to +85°C
 Environmental:
 Lead free, RoHS compliant.



PACKAGED ON TAPE & REEL

| | | |
|---|--------------|--------|
| UNLESS OTHERWISE SPECIFIED ALL DIMENSIONS ARE INCHES [MM] TOLERANCES: EXCEPT AS NOTED | | |
| INCHES | | HOLES |
| .X ± .10 | Ø.X ± .10 | |
| .XX ± .020 | Ø.XX ± .015 | |
| .XXX ± .015 | Ø.XXX ± .010 | |
| APPROVALS | | DATE |
| DRAWN | AY | 7/7/11 |
| CHECKED | CC | 7/7/11 |
| APPROVED | | |

ADAM TECH
 909 Rahway Avenue, Union, NJ 07083
 Phone: 908-687-5000 Fax: 908-687-5710

TITLE: MICRO SD SOCKET 8 PIN, HINGE TYPE
 SEL GOLD PLATED

SIZE: X PART NO.: MCSP-F-08-A-SG-T/R REV. B

REF: S00010T SCALE: NTS SHEET 1 OF 1

6

5

4

3

2

1