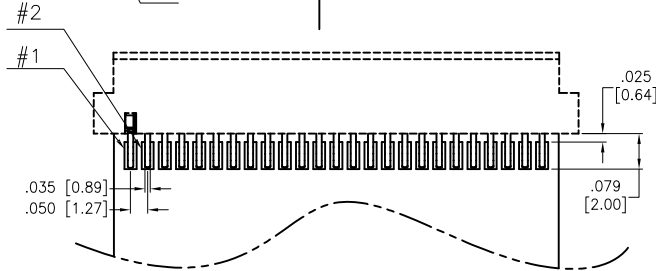
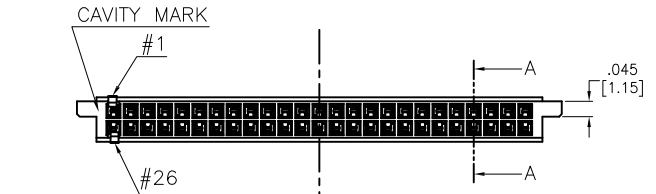
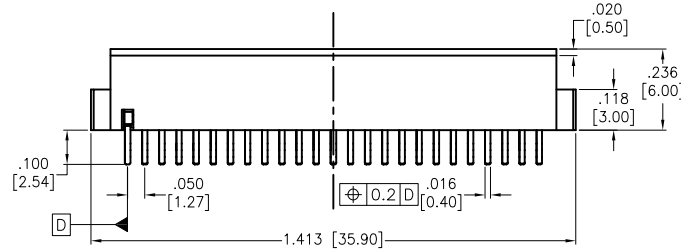
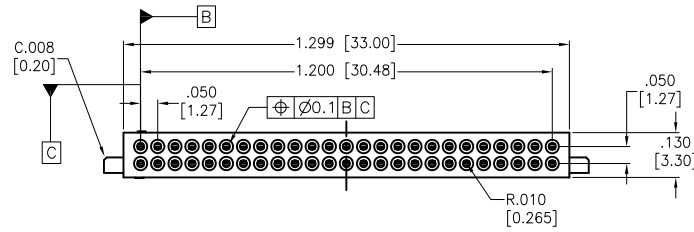
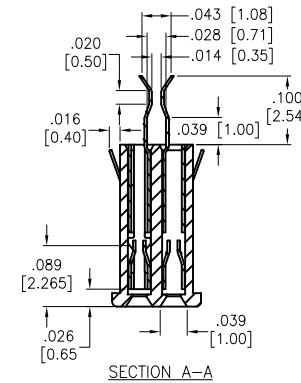
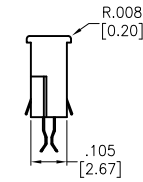


APPROVED: _____
 DATE: _____ TITLE: _____

Rev	AWO #	Description	Date	Appr
-		RELEASED	11/5/18	
A		UPDATE DRAWING	9/26/19	LH/KC



RECOMMENDED PCB LAYOUT



SPECIFICATIONS:

Material:
 Insulator: Thermal plastic, rated UL 94V-0
 Insulator color: Black
 Contacts: Copper Alloy
 Plating:
 Gold flash over Nickel underplate on contact area,
 Tin over Nickel underplate on PCB tails
 Electrical:
 Operation voltage: 100 VAC max.
 Current rating: 0.5 Amps max.
 Contact resistance: 40 mohms max.
 Insulation resistance: 1,000 Mohms min. @ 500 VDC
 Dielectric withstanding voltage: 500 VAC for 1 minute
 Temperature Rating:
 -10°C to +70°C
 Environmental:
 Lead free, RoHS compliant.



UNLESS OTHERWISE SPECIFIED
 ALL DIMENSIONS ARE INCHES [MM]
 TOLERANCES: EXCEPT AS NOTED
 INCHES HOLES
 .X ± .10 Ø.X ± .10
 .XX ± .020 Ø.XX ± .015
 .XXX ± .015 Ø.XXX ± .010

ADAM TECH INTERCONNECTS
 909 Rahway Avenue,
 Union, NJ 07083
 Phone: 908-687-5000
 Fax: 908-687-5710

APPROVALS		DATE
DRAWN	HR	11/5/18
CHECKED	KC	11/5/18
APPROVED		

TITLE		
PCMCIA SOCKET, STRAIGHT SEL-GOLD, STRADDLE MOUNT		
SIZE	PART NO.	REV.
X	CFS-50-A-SG-SM-A	A
REF:	S00013T	SCALE: NTS
		SHEET 1 OF 1