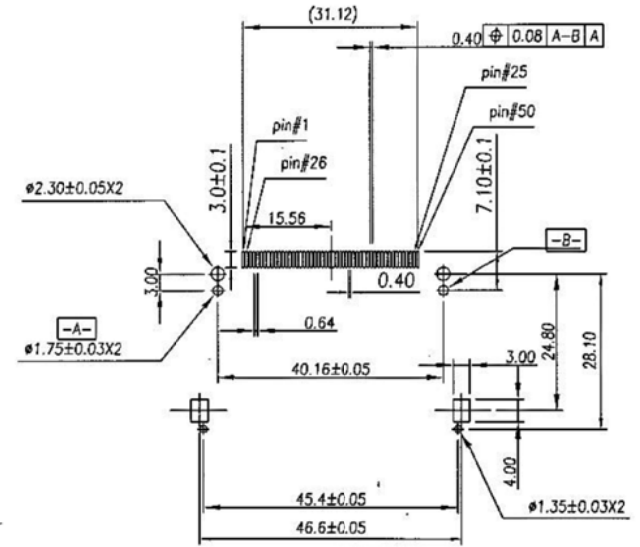
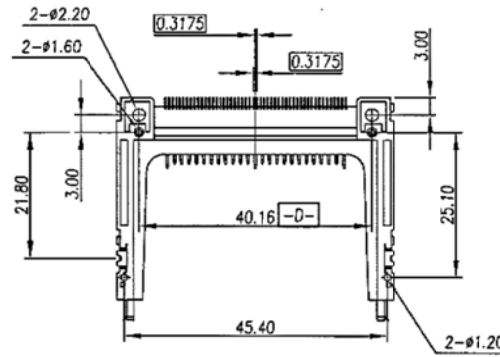
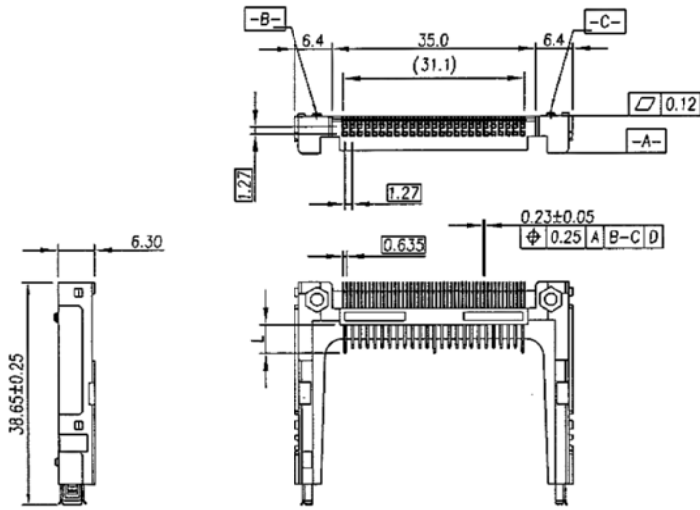
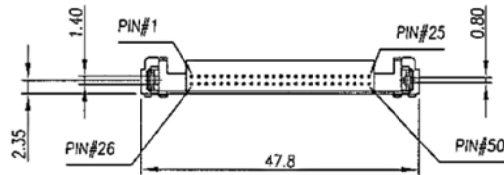


APPROVED: _____
 DATE: _____ TITLE: _____

Rev	AWO #	Description	Date	Appr
-		RELEASED	10/6/15	



P.C.B layout



POWER	5.00mm	1,13,38,50
GENERAL	4.25mm	all other pins
DETECT	3.50mm	25,26
Pin type	Interface Dim. L	Pin No.

SPECIFICATIONS:

Material:
 Insulator: Hi-temp thermoplastic, rated UL 94V-0, color White
 Contacts: Copper Alloy

Plating:
 Gold flash over Nickel underplate on contact area,
 Tin over copper underplate on tails.

Electrical:
 Voltage rating: 100 VAC
 Current rating: 0.5 A
 Contact resistance: 40 mohms max.
 Insulation resistance: 1,000 Mohms min.
 Dielectric withstanding voltage: 500 VAC for 1 minute

Temperature Rating:
 Operating temperature: -40°C to +85°C

Environmental:
 Lead free, RoHS compliant



UNLESS OTHERWISE SPECIFIED ALL DIMENSIONS ARE MILLIMETERS TOLERANCES: EXCEPT AS NOTED HOLES		ADAM TECH 909 Rahway Avenue, Union, NJ 07083 Phone: 908-687-5000 Fax: 908-687-5710	
.X	± .25		
.XX	± .15		
.XXX	± .05		
APPROVALS		DATE	
DRAWN	HR	10/6/15	
CHECKED	MW	10/6/15	
APPROVED			
TITLE		COMPACT FLASH, MALE, UPPER BOARD, W / SCREW HOLE, 6.3MM THICKNESS	
SIZE	PART NO.	REV.	
X	CF2B-50-SG-C1	-	
REF:	S00226T	SCALE:	NTS
		SHEET	1 OF 1