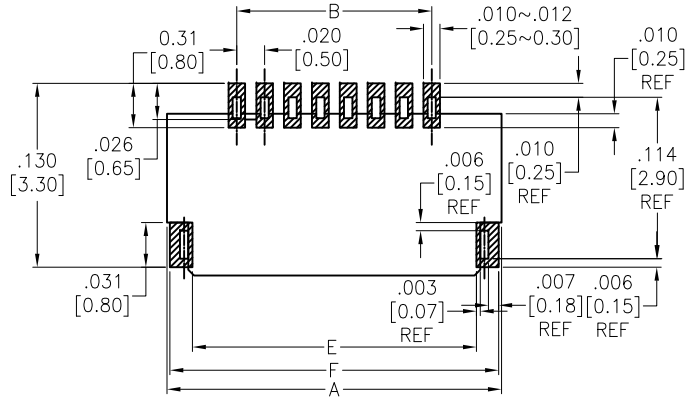


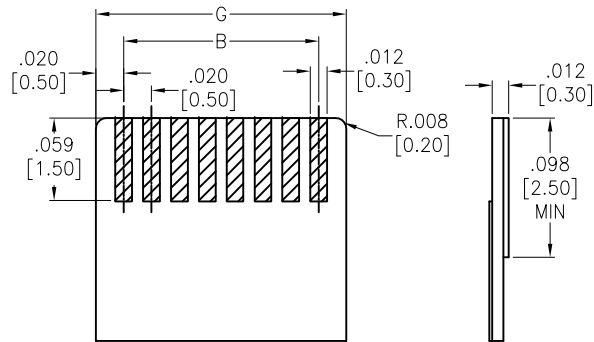
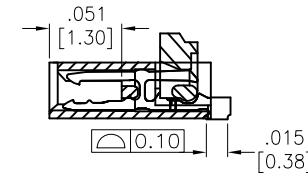
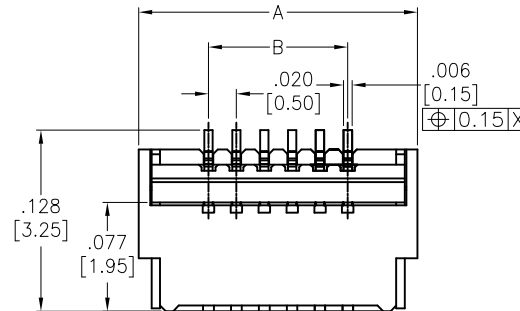
APPROVED: _____

DATE: _____ TITLE: _____

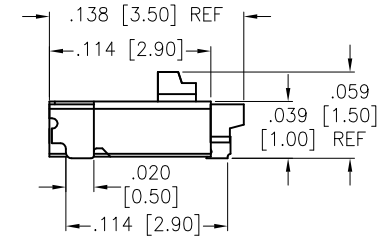
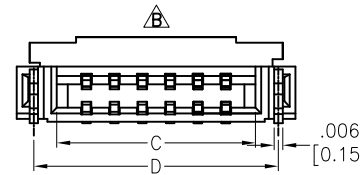
Rev	AWO #	Description	Date	Appr
-		RELEASED	1/6/21	
A		UPDATE DRAWING	6/7/21	WX/YC
B		UPDATE DRAWING	12/20/24	LH/FH



RECOMMENDED PCB LAYOUT



EPC/EFC T=0.30mm



PACKAGED ON TAPE & REEL

Positions: 04 thru 40

A= .020 [0.50] x No. of Space + .098 [2.50]

B= .020 [0.50] x No. of Space

C= .020 [0.50] x No. of Space + .042 [1.07]

D= .020 [0.50] x No. of Space + .074 [1.89]

E= .020 [0.50] x No. of Space + .063 [1.60]

F= .020 [0.50] x No. of Space + .094 [2.40]

G= .020 [0.50] x No. of Space + .039 [1.00]

SPECIFICATIONS:

Material:

Housing: Hi-Temp Thermoplastic, rated UL 94V-0

Contacts: Copper Alloy

Holddown: Copper Alloy, Tin plated over Nickel

Plating:

Gold flash over Nickel underplate overall

Environmental:

Lead free, RoHS compliant



UNLESS OTHERWISE SPECIFIED ALL DIMENSIONS ARE INCHES [MM]. TOLERANCES: EXCEPT AS NOTED

INCHES		HOLES	
X	±.10	ØX	±.10
.XX	±.020	Ø.XX	±.015
.XXX	±.015	Ø.XXX	±.010

DRAWN	OW	1/6/21
CHECKED	CC	1/6/21
APPROVED		

THIS DRAWING CONTAINS INFORMATION THAT IS PROPRIETARY AND SHOULD NOT BE USED WITHOUT PRIOR WRITTEN PERMISSION FROM ADAM TECH



909 Rahway Avenue,
Union, NJ 07083
Phone: 908-687-5000
Fax: 908-687-5710

TITLE ZIF FLEX CIRCUIT CONNECTOR, SMT TYPE
SIDE ENTRY, DUAL CONTACT

SIZE	PART NO.	REV.
X	PCA-6MB-XX-HD-3-G-T/R	B
REF: S00165C	SCALE: NTS	SHEET 1 OF 1