

6

5

4

3

2

1

APPROVED: _____

DATE: _____ TITLE: _____

Rev	AWO #	Description	Date	Appr
-		RELEASED	6/19/17	

D

D

C

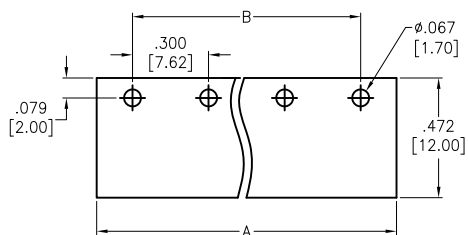
C

B

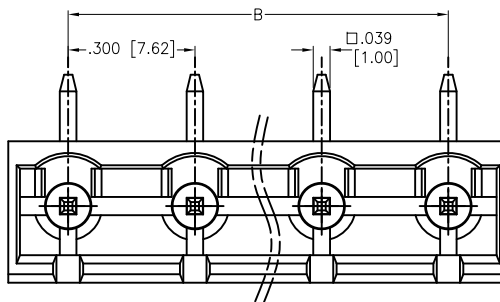
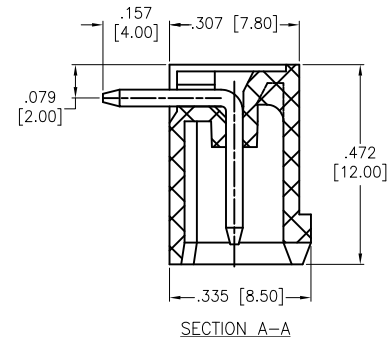
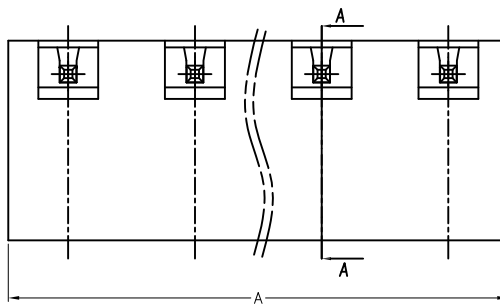
B

A

A



RECOMMENDED PCB LAYOUT



SPECIFICATIONS:

Material:
 Insulator: PA66, rated UL 94V-0
 Insulator color: Green
 Contacts: Brass, Tin plated
 Electrical:

Voltage rated: 300 VAC
 Current rated: 15 Amps
 Contact resistance: 20 mΩ
 Insulation resistance: 500 MΩ @ 500 VDC
 Withstanding voltage: 2000V AC/1 Min
Temperature Rating:
 Operating temperature: -40°C to +105°C
 Environmental:
 Lead free, RoHS compliant.



Positions: 02 thru 24
 A = .300 [7.62] x No. of Spaces + .283 [7.20]
 B = .300 [7.62] x No. of Spaces

UNLESS OTHERWISE SPECIFIED ALL DIMENSIONS ARE MM [INCHES] TOLERANCES: EXCEPT AS NOTED			
INCHES		HOLES	
.X	± .10	Ø.X	± .10
.XX	± .020	Ø.XX	± .015
.XXX	± .015	Ø.XXX	± .010
APPROVALS		DATE	
DRAWN	AY	6/19/17	
CHECKED	DH	6/19/17	
APPROVED			

ADAM TECH

909 Rahway Avenue, Union, NJ 07083
 Phone: 908-687-5000 Fax: 908-687-5710

TITLE: .300 [7.62] PITCH, EURO BLOCK HEADER
 RIGHT ANGLE, CLOSE SIDE

SIZE	PART NO.	REV.
X	EBQA-XX-G-C	-
REF: S00067C	SCALE: NTS	SHEET 1 OF 1

6

5

4

3

2

1