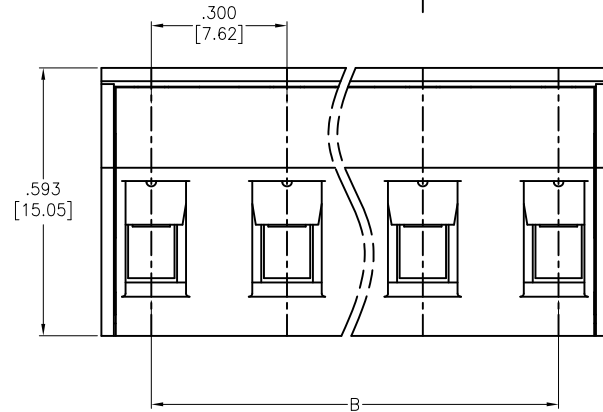
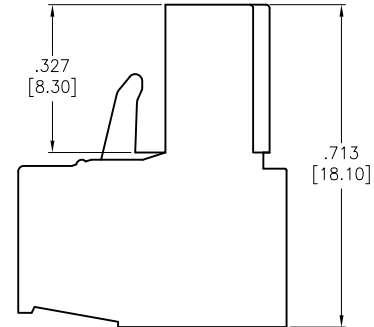
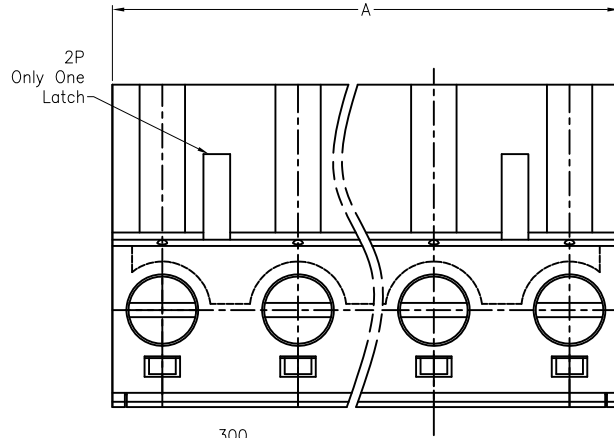


APPROVED: \_\_\_\_\_  
 DATE: \_\_\_\_\_ TITLE: \_\_\_\_\_

Rev	AWO #	Description	Date	Appr
-		RELEASED	12/10/13	
A		UPDATED DIM.	3/18/16	HR
B		UPDATE DRAWING	3/5/20	AY/RT
C		UPDATE SPEC.	7/27/20	AY/RT



**SPECIFICATIONS:**

Material:  
 Insulator: PA66, rated UL 94V-0  
 Insulator color: Green  
 Screws: M3

Electrical:  
 Contactor Material: Copper Alloy, Nickel plated

Mechanical:  
 Voltage rating: 300 V  
 Current rating: 15 A  
 Dielectric withstanding voltage: 1,600 V for 1 minute

Environmental:  
 Operating temperature: -40°C to +105°C  
 Lead free, RoHS compliant.



Positions: 2 thru 24  
 A = .300 [7.62] x No. of Spaces + .220 [5.60]  
 B = .300 [7.62] x No. of Spaces

UNLESS OTHERWISE SPECIFIED ALL DIMENSIONS ARE INCHES [MM] TOLERANCES: EXCEPT AS NOTED		
INCHES HOLES		
.X ± .10	Ø.X ± .10	
.XX ± .020	Ø.XX ± .015	
.XXX ± .015	Ø.XXX ± .010	
APPROVALS		DATE
DRAWN	HR	12/10/13
CHECKED	NP	12/10/13
APPROVED		

**ADAM TECH INTERCONNECTS**  
 909 Rahway Avenue,  
 Union, NJ 07083  
 Phone: 908-687-5000  
 Fax: 908-687-5710

TITLE <b>.300 [7.62] TERMINAL BLOCK, SLOTTED SCREW</b>			
SIZE <b>X</b>	PART NO. <b>EBHA-XX-G</b>	REV. <b>C</b>	
REF: S00067C	SCALE: NTS	SHEET 1 OF 1	