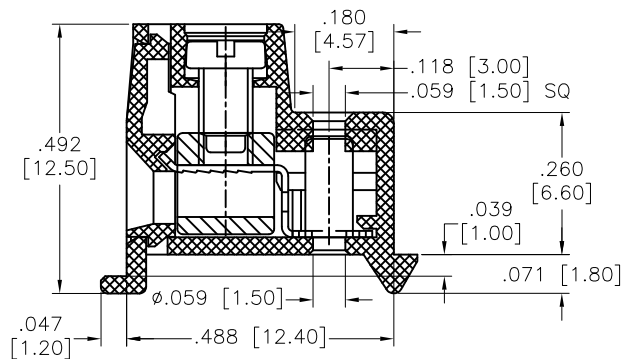
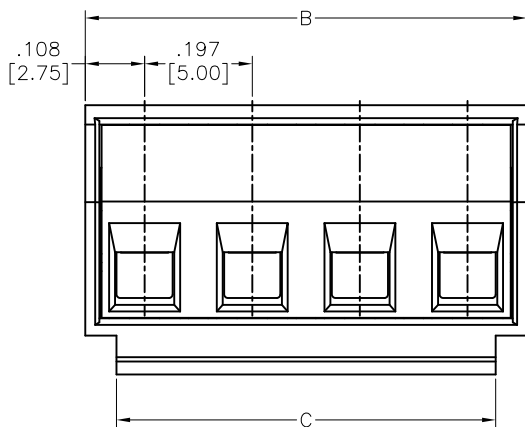
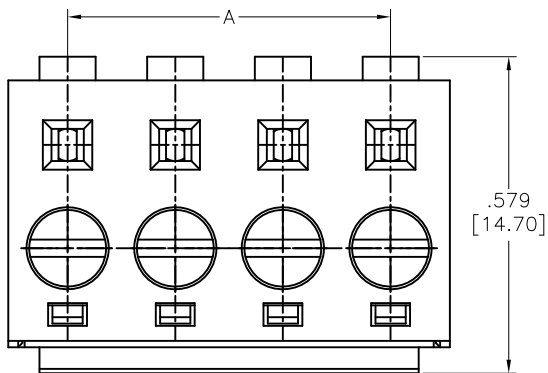


APPROVED: \_\_\_\_\_

DATE: \_\_\_\_\_ TITLE: \_\_\_\_\_

Rev	AWO #	Description	Date	Appr
-		RELEASED	4/7/16	
A		UPADTE DRAWING	10/24/24	LH/YC



**SPECIFICATIONS:**

Material:  
 Insulator: PA66, rated UL 94V-0  
 Insulator color: Black  
 Screws: M2.5 Steel, Zinc plated  
 Clamp: Phosphor Bronze, Nickel plated  
 Cage: Brass, Nickel plated

Electrical:  
 Voltage rating: 300 V  
 Current rating: 12 A  
 Contact resistance: 20 mohms max  
 Insulation resistance: 500 Mohms min @ 500 VDC  
 Dielectric withstanding voltage: 2,000 VAC for 1 minute

Mechanical:  
 Wire range: 22-14 AWG, 1.5mm<sup>2</sup>  
 Torque: 3.6Lb-In (0.4Nm)  
 Strip length: 6 mm  
 Temperature Rating:  
 -40°C to +105°C  
 Environmental:  
 Lead free, RoHS compliant.



Positions: 2 thru 24  
 A = .197 [5.00] x No. of Spaces  
 B = .197 [5.00] x No. of Spaces + .217 [5.50]  
 C = .197 [5.00] x No. of Spaces + .102 [2.60]

UNLESS OTHERWISE SPECIFIED ALL DIMENSIONS ARE INCHES [MM]. TOLERANCES: EXCEPT AS NOTED			
INCHES		HOLES	
.X	± .10	∅X	± .10
.XX	± .020	∅XX	± .015
.XXX	± .015	∅XXX	± .010

**ADAM TECH** 909 Rahway Avenue,  
 Union, NJ 07083  
 Phone: 908-687-5000  
 Fax: 908-687-5710

DRAWN	AY	4/7/16
CHECKED	LW	4/7/16
APPROVED		

TITLE		
EURO BLOCK, .197 [5.00] PITCH		

THIS DRAWING CONTAINS INFORMATION THAT IS PROPRIETARY AND SHOULD NOT BE USED WITHOUT PRIOR WRITTEN PERMISSION FROM ADAM TECH.

SIZE	PART NO.	REV.
X	EB96A-XX-C	A
REF:	S00067C	SCALE: NTS SHEET 1 OF 1