

6

5

4

3

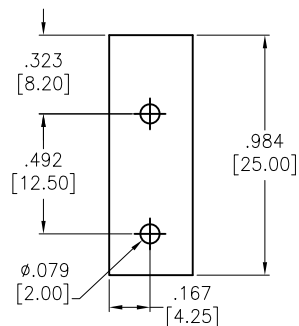
2

1

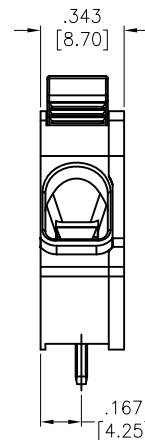
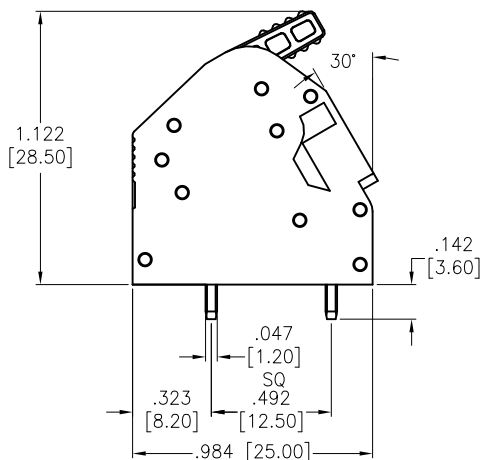
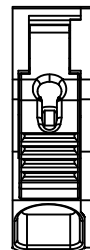
APPROVED: _____

DATE: _____ TITLE: _____

Rev	AWO #	Description	Date	Appr
-		RELEASED	12/1/21	



RECOMMENDED PCB LAYOUT



SPECIFICATIONS:

Material:

Insulator: PA66, rated UL 94V-0

Insulator color: Green

Contacts : Copper Alloy, Tin plated

Electrical:

Voltage rating: 300 V

Current rating: 27 A

Dielectric withstanding voltage: 1600 V for 1 minute

Mechanical:

Wire range: 10~24AWG

Wire strip length: 15-16mm

Temperature Rating:

Operating temperature: -40°C to +105°C

Environmental:

Lead free, RoHS compliant.



UNLESS OTHERWISE SPECIFIED ALL DIMENSIONS ARE INCHES [MM]. TOLERANCES: EXCEPT AS NOTED

INCHES		HOLES	
.X	± .10	∅.X	± .10
.XX	± .020	∅.XX	± .015
.XXX	± .015	∅.XXX	± .010



909 Rahway Avenue,
Union, NJ 07083
Phone: 908-687-5000
Fax: 908-687-5710

DRAWN	LH	12/1/21
CHECKED	LW	12/1/21
APPROVED		

TITLE: .295 [7.50] PITCH SPRING CLAMP, DUBLE PIN
TERMINAL BLOCKS, RIGHT ANGLE

THIS DRAWING CONTAINS INFORMATION THAT IS PROPRIETARY AND SHOULD NOT BE USED WITHOUT PRIOR WRITTEN PERMISSION FROM ADAM TECH

SIZE X	PART NO. EB171SA-D-01	REV. -
REF: S00067C	SCALE: NTS	SHEET 1 OF 1

6

5

4

3

2

1