

6

5

4

3

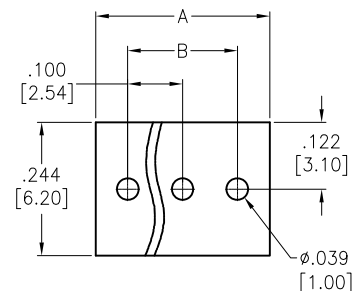
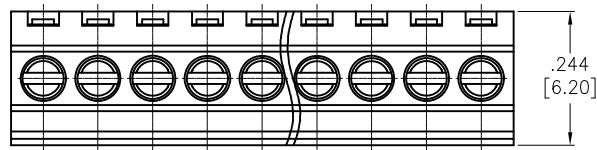
2

1

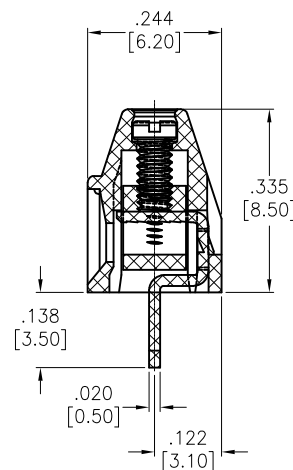
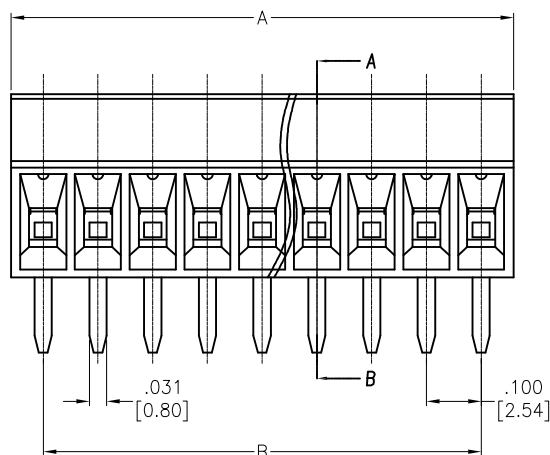
APPROVED: _____

DATE: _____ TITLE: _____

Rev	AWO #	Description	Date	Appr
-		RELEASED	10/7/15	



RECOMMENDED PCB LAYOUT



SECTION A-A

SPECIFICATIONS:

Material:
 Insulator: PA66, rated UL 94V-0
 Insulator color: Green
 Screw: M1.6, Steel, Zinc plated
 Pin Header: Brass, Tin plated.
 Cage: Brass, Nickel plated.

Electrical:
 Voltage rated: 150 V
 Current rated: 6 Amps
 Contact resistance: 20 mΩ
 Insulation resistance: 500 MΩ @ 500 VDC

Mechanical:
 Withstanding voltage: 1300V AC/1 Min

Operating temperature: -40°C to +105°C
 Environmental:
 Lead free, RoHS compliant.



Positions: 02 thru 24

A = .100 [2.54] x No. of Spaces + .118 [3.00]

B = .100 [2.54] x No. of Spaces

UNLESS OTHERWISE SPECIFIED ALL DIMENSIONS ARE INCHES [MM] TOLERANCES: EXCEPT AS NOTED		ADAM TECH 909 Rahway Avenue, Union, NJ 07083 Phone: 908-687-5000 Fax: 908-687-5710	
INCHES HOLES			
.X ± .10	Ø.X ± .10	TITLE: TERMINAL BLOCK, .100" [2.54] PITCH	
.XX ± .020	Ø.XX ± .015		
.XXX ± .015	Ø.XXX ± .010		
APPROVALS		DATE	
DRAWN	AY	10/7/15	
CHECKED	LL	10/7/15	
APPROVED			
SIZE	PART NO.	REV.	
X	EB159-XX-L	-	
REF:	S00067C	SCALE:	NTS
		SHEET 1 OF 1	

6

5

4

3

2

1