

6

5

4

3

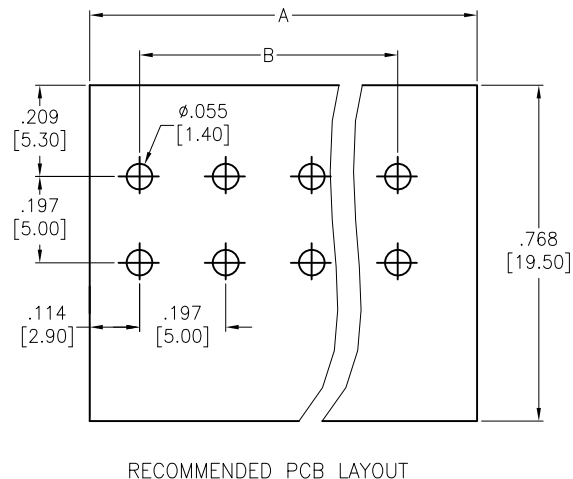
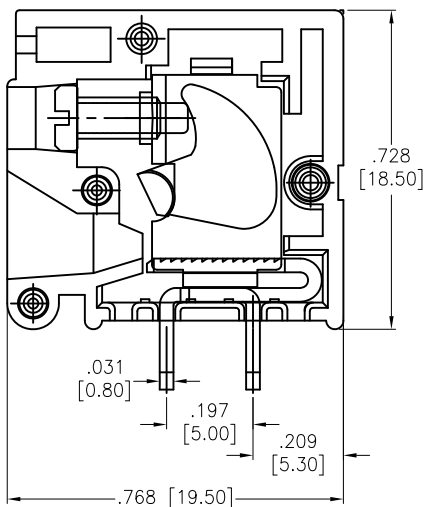
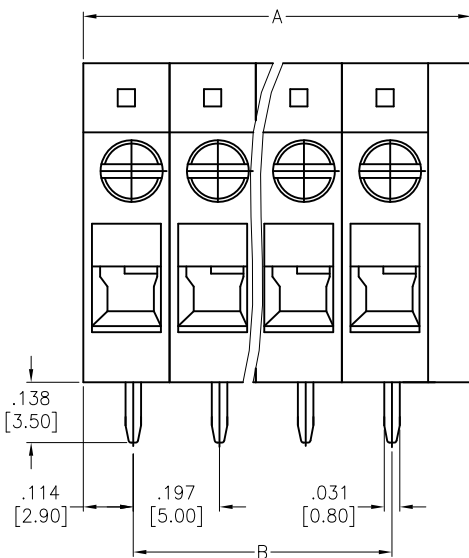
2

1

APPROVED: \_\_\_\_\_

DATE: \_\_\_\_\_ TITLE: \_\_\_\_\_

Rev	AWO #	Description	Date	Appr
-		RELEASED	2/9/17	
A		UPDATE SPEC.	12/1/19	LH/EY



**SPECIFICATIONS:**

**Material:**

Insulator: PA66, rated UL 94V-0

Insulator color: Green

Pin Header: Copper Alloy, Tin plated  $\Delta$

Screws: M2.5 Steel, Zinc plated

Cage: Copper Alloy, Zinc plated  $\Delta$

Slide Block: Steel, Zinc plated

**Electrical:**

Voltage rating: 300 V

Current rating: 20 A

Contact resistance: 20 mohms

Insulation resistance: 500 Mohms @ 500VDC

Dielectric withstanding voltage: 2,000 VAC for 1 minute

**Mechanical:**

Screw Torque: 0.4N-m, 3.6Lb-in

Wire Range: 12-24AWG (2.5mm<sup>2</sup>)

Strip Length: 12-13mm

Temperature Rating:

-40°C to +105°C

**Environmental:**

Lead free, RoHS compliant.



Positions: 02 thru 30

A = .197 [5.00] x No. of Positions + .098 [2.50]

B = .197 [5.00] x No. of Space

UNLESS OTHERWISE SPECIFIED  
ALL DIMENSIONS ARE INCHES [MM]  
TOLERANCES: EXCEPT AS NOTED

INCHES		HOLES	
.X	± .10	Ø.X	± .10
.XX	± .020	Ø.XX	± .015
.XXX	± .015	Ø.XXX	± .010

**ADAM TECH**  
INTERCONNECTS

909 Rahway Avenue,  
Union, NJ 07083  
Phone: 908-687-5000  
Fax: 908-687-5710

APPROVALS		DATE
DRAWN	HR	2/9/17
CHECKED	OC	2/9/17
APPROVED		

TITLE		
TERMINAL BLOCK, PCB, .197" [5.00] PITCH		
SIZE	PART NO.	REV.
X	EB14A-XX-C	A
REF: S00067C	SCALE: NTS	SHEET 1 OF 1

6

5

4

3

2

1