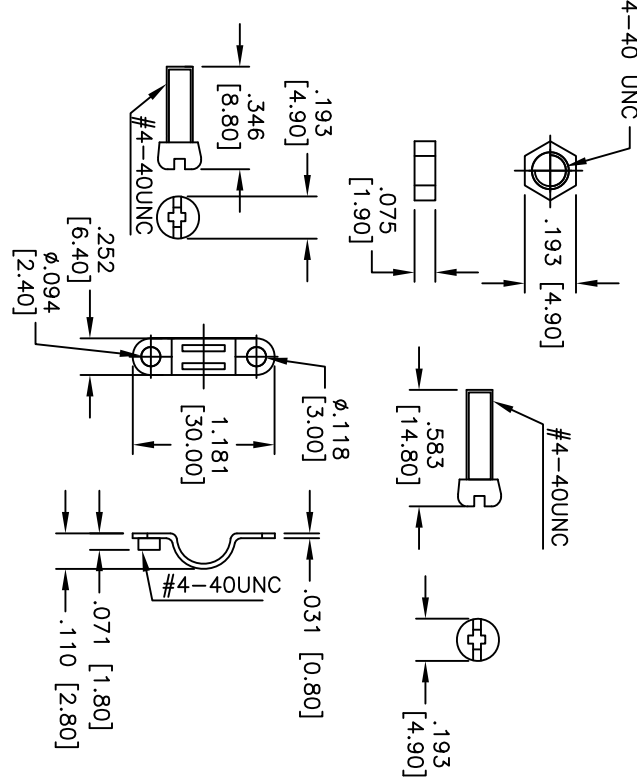
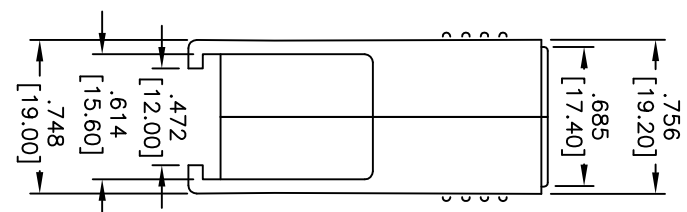
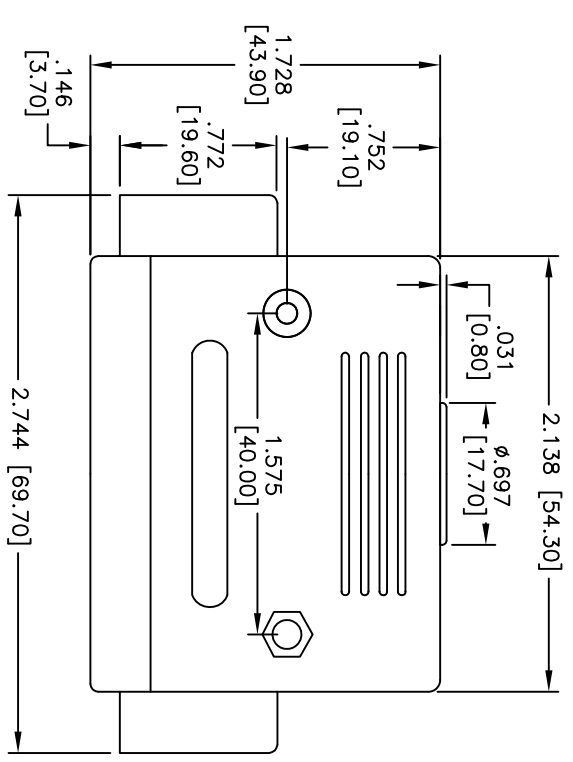
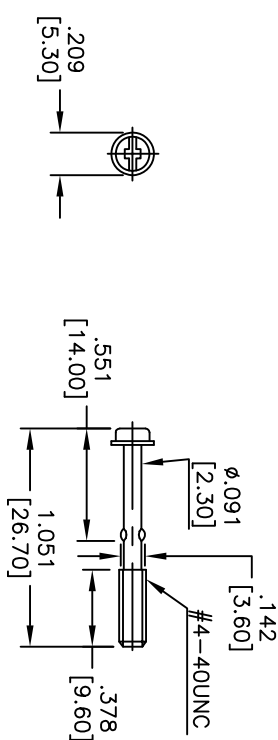
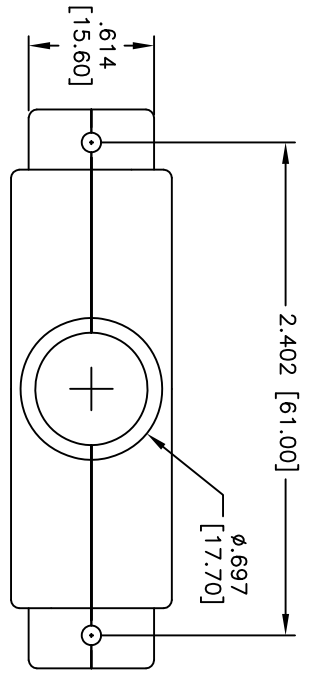


Rev	AWO #	Description	Date	Appr
-		RELEASED	5/17/11	

APPROVED: _____
 DATE: _____ TITLE: _____



SPECIFICATIONS:

Material: Insulator: ABS, rated UL 94HB
 Insulator color: chrome
 Hardware: Steel, Nickel plated
 Environmental: Lead free, RoHS compliant



ADAM TECH

909 Railway Avenue, Union, NJ 07083
 Phone: 908-687-5000 Fax: 908-687-5710

HOOD FOR 50 POSITION D-SUB WITH SHORT SCREWS

UNLESS OTHERWISE SPECIFIED ALL DIMENSIONS ARE INCHES [MM]	
TOLERANCES: EXCEPT AS NOTED	
INCHES	HOLDS
.X ± .10	ØX ± .10
.XX ± .020	ØXX ± .015
.XXX ± .015	ØXXX ± .010
APPROVALS	DATE
DRAWN DY	5/17/11
CHECKED	
APPROVED	

REF: S0006AT	SCALE: NTS	SHEET 1 OF 1
SIZE PART NO. DD50-HD-PN-SS	TITLE	REV.