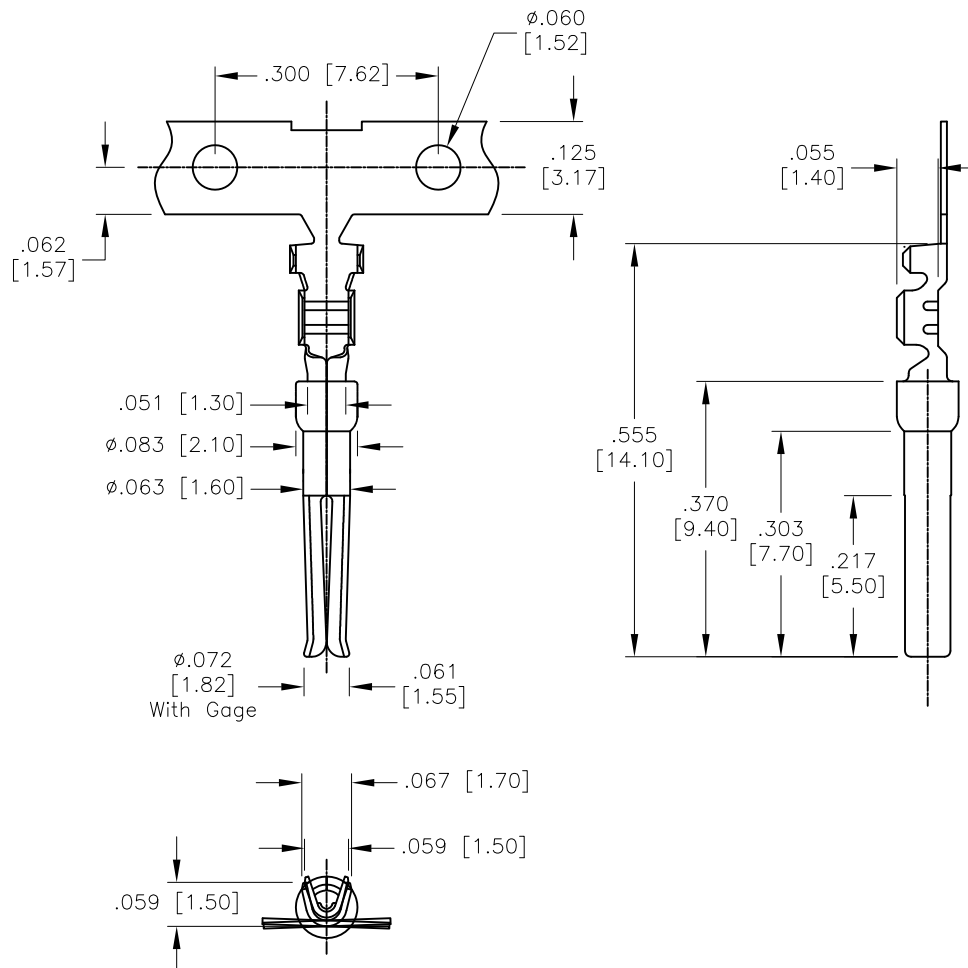


APPROVED: _____
 DATE: _____ TITLE: _____

Rev	AWO #	Description	Date	Appr
-		RELEASED	11/18/15	



mSPECIFICATIONS:
 Material:
 Contact: Phosphor Bronze
 Plating:
 Gold flash over Nickel underplate overall
 Electrical:
 Current rating: DC 1 Amp
 Contact resistance: 20 mohms max
 Mechanical:
 Recommended wire range: 24-28 AWG
 Packaging:
 B = Loose Cut
 R = Tape and Reel
 Environmental:
 Lead free, RoHS compliant



UNLESS OTHERWISE SPECIFIED ALL DIMENSIONS ARE INCHES [MM] TOLERANCES: EXCEPT AS NOTED		ADAM TECH 909 Rahway Avenue, Union, NJ 07083 Phone: 908-687-5000 Fax: 908-687-5710	
INCHES HOLES			
.X ± .10	Ø.X ± .10	TITLE: D-SUB SOCKET CONTACT, 28-30 AWG GOLD FLASH	
.XX ± .020	Ø.XX ± .015		
.XXX ± .015	Ø.XXX ± .010		
APPROVALS		DATE	
DRAWN	HR	11/18/15	
CHECKED	LL	11/18/15	
APPROVED			
SIZE	PART NO.	REV.	
X	DCS-03-X	-	
REF:	S00087T	SCALE:	NTS
		SHEET	1 OF 1