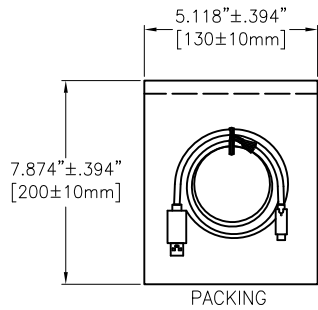
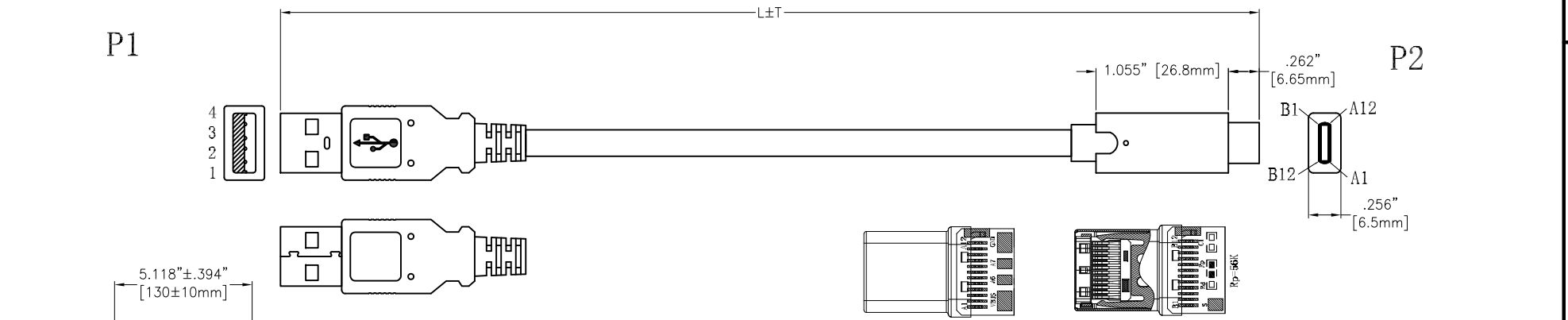


APPROVED: \_\_\_\_\_

DATE: \_\_\_\_\_ TITLE: \_\_\_\_\_

CUSTOM CABLE ASSEMBLIES ARE NON-CANCELLABLE/NON-RETURNABLE

Rev	AWO #	Description	Date	Appr
G		ADDED 4FT & 5FT P/N	9/15/20	AY/YC
H		UPDATE SPEC.	3/24/23	WX/YC1
I		ADDED P/N FOR 2.5FT	11/09/23	TW
J		REMOVED 6FT	3/15/24	LH/TW
K		ADDED 10FT	10/22/25	SS



PIN ASSIGNMENT			
P1	P2	COLOR	
1	1	VBUS RED	
2	2	D- WHITE A7	
3	3	D+ GREEN A6	
4	4	GND BLACK	
Shell	Shell	Braid	

ADAM P/N	L±T
CA-USB-AM/CM-1FT	12.008" ±.394" [305 ±10mm]
CA-USB-AM/CM-2.5FT	29.921" ±.591" [760 ±15mm]
CA-USB-AM/CM-3FT	36.024" ±.787" [915 ±20mm]
CA-USB-AM/CM-3.5FT	42.000" ±1.181" [1066.8 ±30mm]
CA-USB-AM/CM-4FT	47.244" ±1.181" [1200 ±30mm]
CA-USB-AM/CM-5FT	59.055" ±1.181" [1500 ±30mm]
CA-USB-AM/CM-10FT	120.00" ±2.00" [3,048 ±50.8mm]

TEST CONDITION:  
 1. 100% OPEN SHORT & MISWIRE TEST.  
 2. CONDUCTOR RESISTANCE: 3 Ohms Max.  
 3. INSULATION RESISTANCE: 5M Ohms Min.

SPECIFICATIONS:  
**Connectors:**  
 P1= USB Connector A type Plug, Insulator color: White, Overmold Color: Black, PVC  
 P2= USB Connector C type Plug, Tensile shell, Overmold Color: Black, PVC, W/ PCB, <REV:2.0>  
**Wire:**  
 UL2725 28AWG\*1P+24AWG\*2C+AEB, OD: .165" [4.2mm], Jacket Color Black, PVC

Electrical:  
 Rating: 5V/2A  
 Dielectric withstanding voltage: 300 VDC  
**Electrical Test:**  
 All assemblies must be 100% tested for shorts, open continuity and physical appearance.  
 Environmental:  
 Lead free, RoHS compliant.



UNLESS OTHERWISE SPECIFIED ALL DIMENSIONS ARE INCHES [MM]. TOLERANCES: EXCEPT AS NOTED		
.X ± .10	∅X ± .10	
.XX ± .020	∅XX ± .015	
.XXX ± .015	∅XXX ± .010	
DRAWN	HR	10/13/15
CHECKED	TW	10/13/15
APPROVED		
THIS DRAWING CONTAINS INFORMATION THAT IS PROPRIETARY AND SHOULD NOT BE USED WITHOUT PRIOR WRITTEN PERMISSION FROM ADAM TECH		

**ADAM TECH** 909 Rahway Avenue, Union, NJ 07083  
 Phone: 908-687-5000 Fax: 908-687-5710

TITLE CUSTOMER ASSEMBLY, USB 2.0 PLUG TYPE A TO USB 3.1 PLUG TYPE C		REV. K
SIZE X	PART NO. CA-USB-AM/CM-XFT	
REF: S00161C	SCALE: NTS	SHEET 1 OF 1