

6

5

4

3

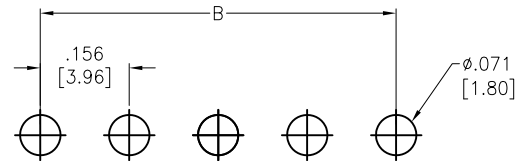
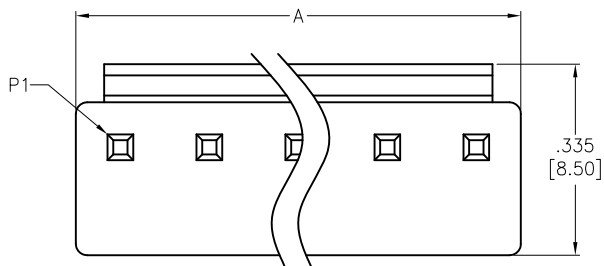
2

1

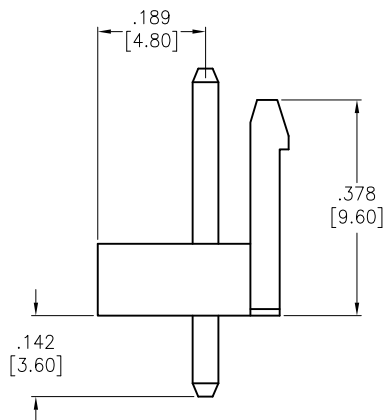
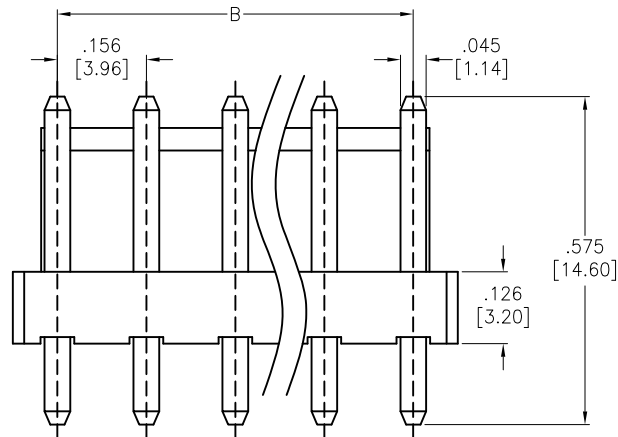
APPROVED: _____

DATE: _____ TITLE: _____

Rev	AWO #	Description	Date	Appr
-		RELEASED	10/18/18	



RECOMMENDED PCB LAYOUT



SPECIFICATIONS:

Material:
 Insulator: Nylon 66, rated UL 94V-0
 Insulator color: White
 Contacts: Brass
 Plating:
 Tin over Nickel underplate overall
 Electrical:
 Voltage rating: 250 VAC/DC
 Current rating: 7 A AC/DC
 Contact resistance: 10 mohms max
 Insulation resistance: 1,000 Mohms min
 Dielectric withstanding voltage: 1,500 VAC for 1 minute
 Temperature Rating:
 -25°C to +85°C
 Environmental:
 Lead free, RoHS compliant



Positions: 02 thru 16
 A = .156 [3.96] x No. of Positions
 B = .156 [3.96] x No. of Spaces

UNLESS OTHERWISE SPECIFIED ALL DIMENSIONS ARE INCHES [MM] TOLERANCES: EXCEPT AS NOTED		ADAM TECH 909 Rahway Avenue, Union, NJ 07083 Phone: 908-687-5000 Fax: 908-687-5710	
INCHES HOLES .X ± .10 Ø.X ± .10 .XX ± .020 Ø.XX ± .015 .XXX ± .015 Ø.XXX ± .010		TITLE .156 [3.96] POWER HEADER, STRAIGHT, TIN PLATED	
APPROVALS		DATE	
DRAWN	AY	10/18/18	
CHECKED	RC1	10/18/18	
APPROVED			
SIZE X	PART NO. LHC-B1-XX-TS-V0	REV. -	
REF: S00111C	SCALE: NTS	SHEET 1 OF 1	

6

5

4

3

2

1