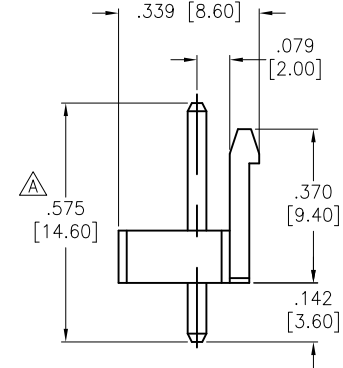
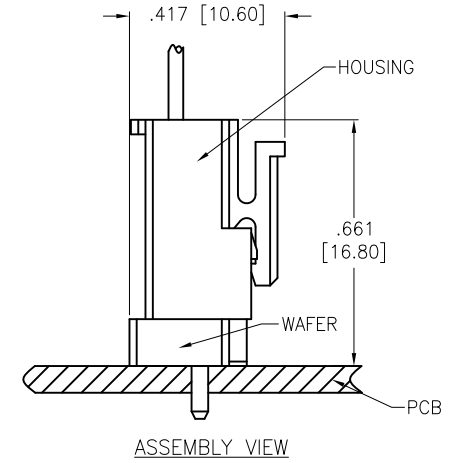
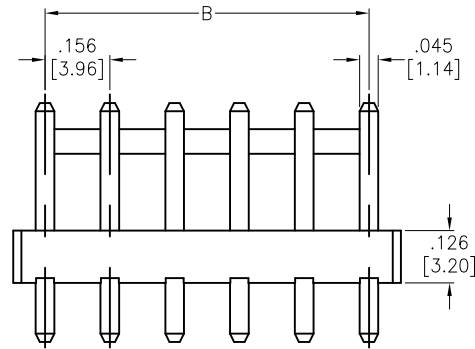
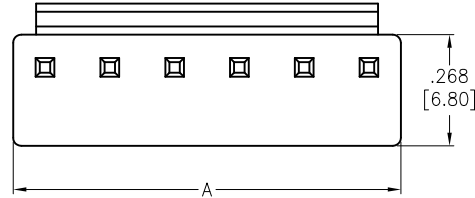
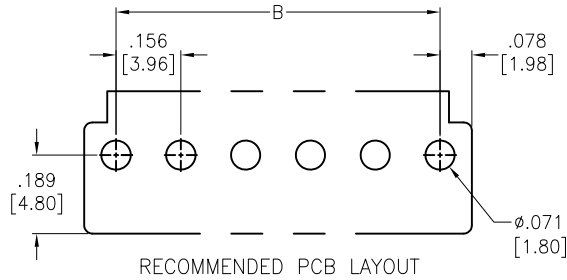


APPROVED: _____
 DATE: _____ TITLE: _____

Rev	AWO #	Description	Date	Appr
-		RELEASED	11/28/18	
A		ADDED DIM.	10/23/20	AY/CC



SPECIFICATIONS:

Material:
Insulator: Nylon 66, rated UL 94V-0
Insulator color: Natural
Contacts: Brass
 Plating:
 Tin over Copper underplate overall
 Electrical:
Voltage rating: 250V AC/DC
Current rating: 7A AC/DC
Contact resistance: 10 mohms max
Insulation resistance: 1,000 Mohms min
Dielectric withstanding voltage: 1,500 VAC for 1 minute
 Temperature Rating:
 -25°C to +85°C
 Environmental:
 Lead free, RoHS compliant



Positions: 2 thru 15
 A = .156 [3.96] x No. of Spaces + .154 [3.90]
 B = .156 [3.96] x No. of Spaces

UNLESS OTHERWISE SPECIFIED ALL DIMENSIONS ARE INCHES [MM] TOLERANCES: EXCEPT AS NOTED		
INCHES		HOLES
.X ± .10	Ø.X ± .10	
.XX ± .020	Ø.XX ± .015	
.XXX ± .015	Ø.XXX ± .010	
APPROVALS		DATE
DRAWN	AY	11/28/18
CHECKED	SL	11/28/18
APPROVED		



909 Rahway Avenue,
 Union, NJ 07083
 Phone: 908-687-5000
 Fax: 908-687-5710

TITLE .156 [3.96] POWER HEADER STRAIGHT, WITH REAR LOCK		
SIZE X	PART NO. LHC-A1-XX-TS-V0	REV. A
REF: S00124T	SCALE: NTS	SHEET 1 OF 1