

6

5

4

3

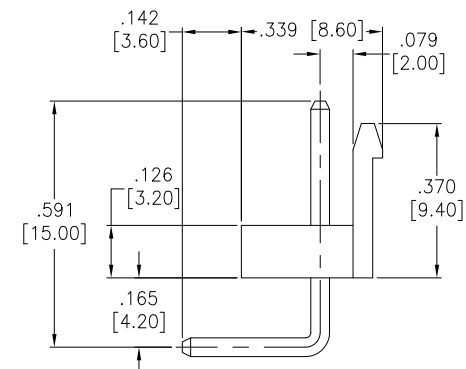
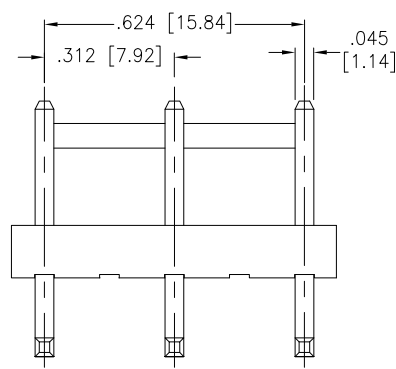
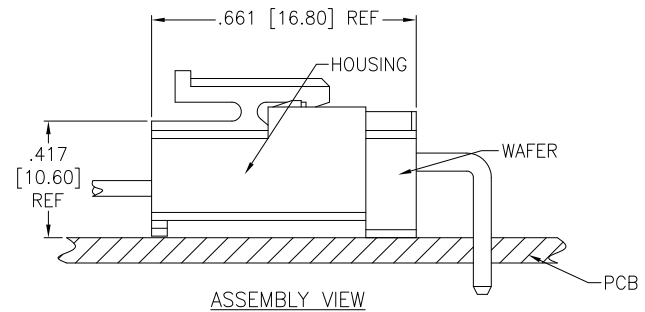
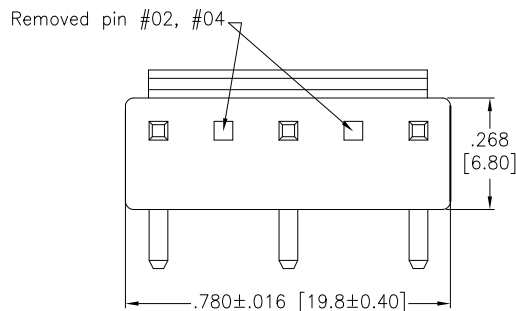
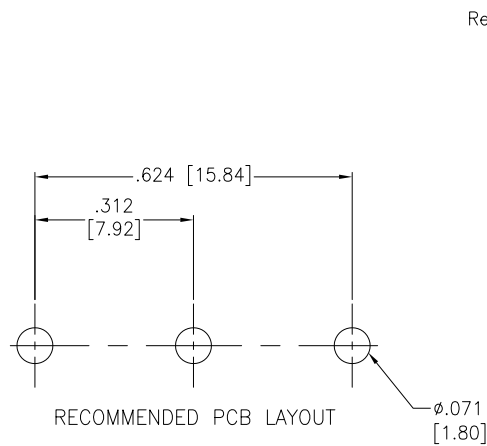
2

1

APPROVED: \_\_\_\_\_

DATE: \_\_\_\_\_ TITLE: \_\_\_\_\_

Rev	AWO #	Description	Date	Appr
-		RELEASED	7/29/21	



SPECIFICATIONS:

Material:  
 Insulator: Nylon 66, rated UL 94V-0  
 Insulator color: Natural  
 Contacts: Brass  
 Plating:  
 Tin over Copper underplate overall  
 Electrical:

**A** Current rating: 7A AC/DC  
 Contact resistance: 20 mohms max  
 Insulation resistance: 1,000 Mohms min  
 Dielectric withstanding voltage: 1,500 VAC for 1 minute  
 Temperature Rating:  
 -25°C to +105°C  
 Environmental:



Lead free, RoHS compliant

UNLESS OTHERWISE SPECIFIED ALL DIMENSIONS ARE INCHES [MM]. TOLERANCES: EXCEPT AS NOTED		
INCHES	HOLES	
.X ± .10	ØX	± .10
.XX ± .020	ØXX	± .015
.XXX ± .015	ØXXX	± .010
DRAWN	JJ	7/29/21
CHECKED	YC	7/29/21
APPROVED		
THIS DRAWING CONTAINS INFORMATION THAT IS PROPRIETARY AND SHOULD NOT BE USED WITHOUT PRIOR WRITTEN PERMISSION FROM ADAM TECH		

**ADAM TECH** 909 Rahway Avenue,  
 Union, NJ 07083  
 Phone: 908-687-5000  
 Fax: 908-687-5710

TITLE	.156 [3.96] POWER HEADER, RIGHT ANGLE WITH REAR LOCK, 5P, REMOVED PIN #02, #04	
SIZE	PART NO.	REV.
X	LHC-A1-05-TRA-X02-X04-V0	-
REF:	S00124T	SCALE: NTS SHEET 1 OF 1

6

5

4

3

2

1