

6

5

4

3

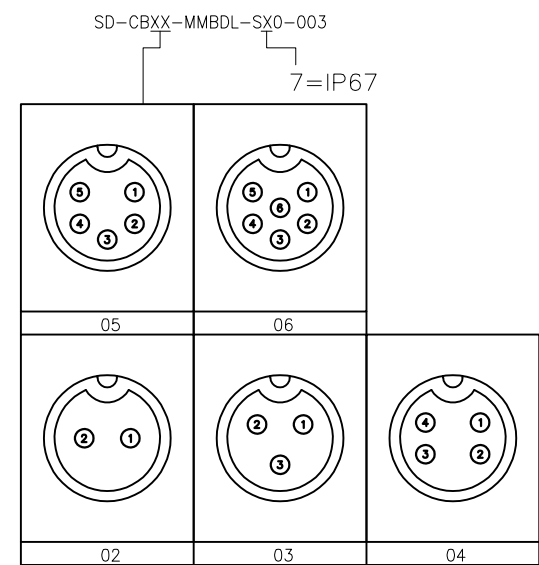
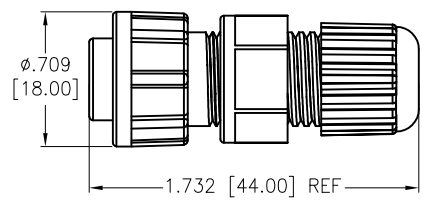
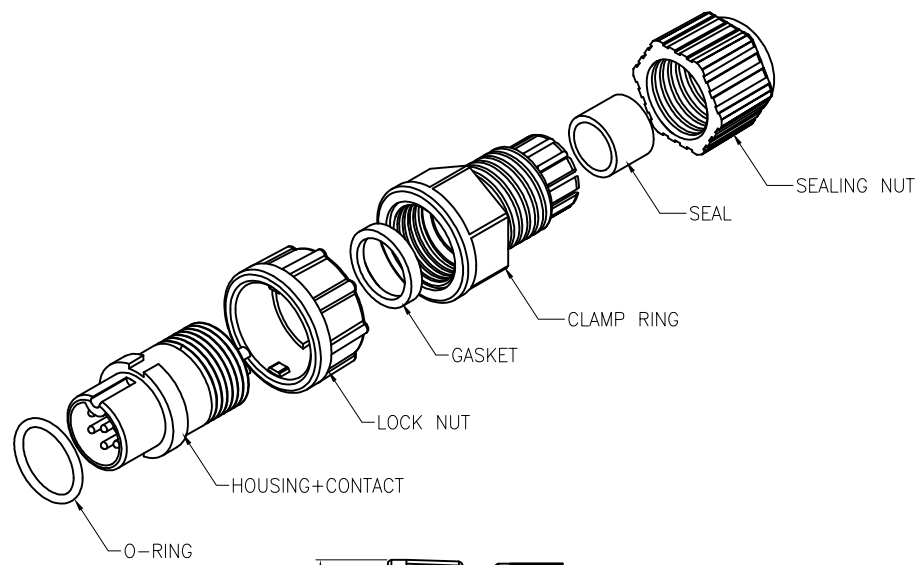
2

1

APPROVED: _____

DATE: _____ TITLE: _____

Rev	AWO #	Description	Date	Appr
-		RELEASED	12/19/22	



Material:
Housing: PA66
Contacts: Brass, Gold flash over Nickel plated
O-ring: Silicone
Lock NUT: PA66
Gasket: Silicone
Clamp Ring: PA66
Seal: Silicone, Cable: O.D. $\phi.177'' \sim .256''$ [4.5~6.5mm]
Sealing Nut: PA66
Plating:
Electrical:
Voltage rating: 250 VAC
Current rating: 5 A
Temperature Rating:
Operating temperature: -40°C to $+105^{\circ}\text{C}$
Environmental:
Water proof : IP67
Lead free, RoHS compliant.



UNLESS OTHERWISE SPECIFIED ALL DIMENSIONS ARE INCHES [MM]. TOLERANCES: EXCEPT AS NOTED

INCHES		HOLES	
.x	$\pm .10$	ϕx	$\pm .10$
.xx	$\pm .020$	ϕxx	$\pm .015$
.xxx	$\pm .015$	ϕxxx	$\pm .010$

DRAWN	JJ	12/19/22
CHECKED	RL	12/19/22
APPROVED		

THIS DRAWING CONTAINS INFORMATION THAT IS PROPRIETARY AND SHOULD NOT BE USED WITHOUT PRIOR WRITTEN PERMISSION FROM ADAM TECH

ADAM TECH
909 Rahway Avenue,
Union, NJ 07083
Phone: 908-687-5000
Fax: 908-687-5710

TITLE		WATERPROOF CONNECTOR, MALE, B-SIZE, FIELD INSTALL, LOCK TYPE	
SIZE	PART NO.	REV.	
X	SD-CBXX-MMBDL-SX0-003	-	
REF:	S00298T	SCALE:	NTS
		SHEET	1 OF 1

6

5

4

3

2

1