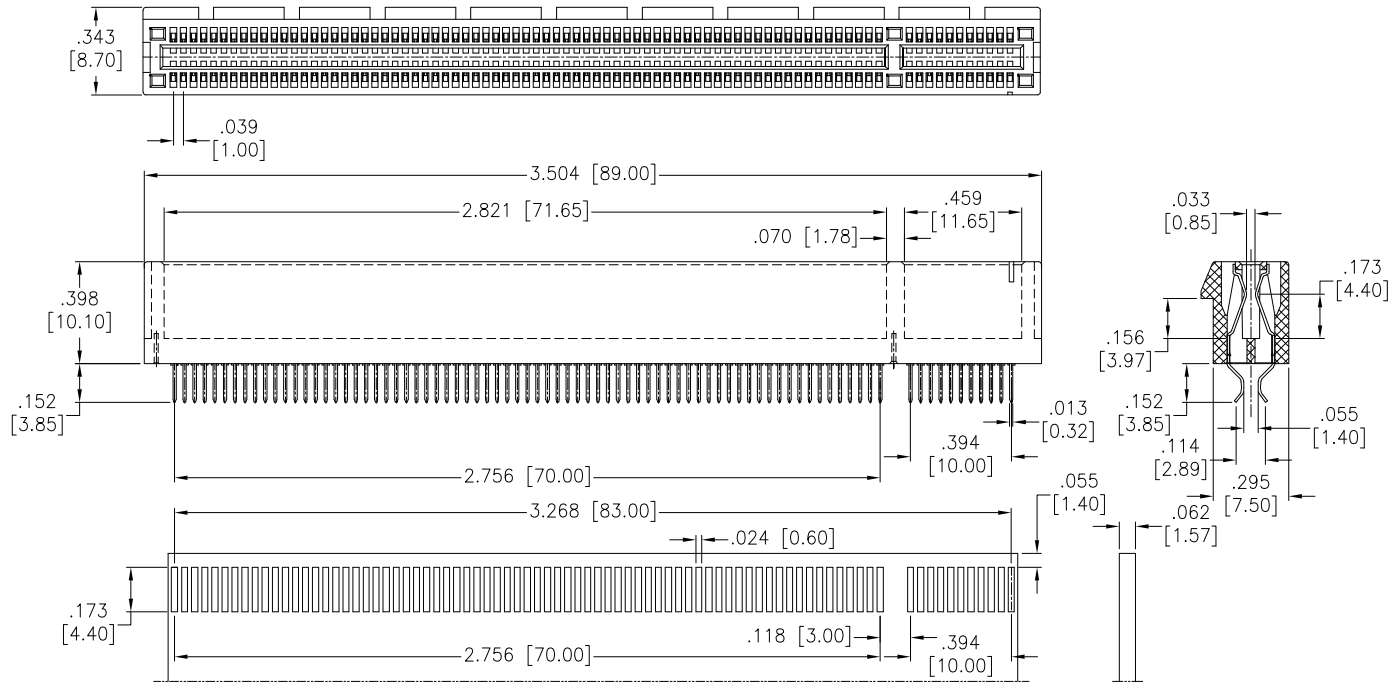


APPROVED: \_\_\_\_\_  
 DATE: \_\_\_\_\_ TITLE: \_\_\_\_\_

Rev	AWO #	Description	Date	Appr
-		RELEASED	02/21/05	
A		UPDATE DRAWING	3/27/15	AY/NC
B		ADDED PACKING	9/24/20	OW/NL



P.C.B Layout For Straddle

**Material:**  
 Insulator: Hi-Temp Thermoplastic, rated UL 94V-0  
 Insulator color: Black  
 Contacts: Brass  
**Plating:**  
 Gold Flash over Nickel underplate on contact area,  
 Tin over Nickel underplate on Solder tails  
**Electrical:**  
 Current rating: 1.1 Amps max  
 Contact Resistance: 30 mohms max  
 Insulation resistance: 1000 Mohms min @ 500V AC  
**Mechanical:**  
 Insertion force: 1.15N max per contact pair  
 Withdrawal force: 0.15N min per contact pair  
 Contact retention force: 4.9N min per contact  
**Temperature Rating:**  
 Operating temperature: -55°C to +105°C  
**Environmental:**  
 Lead free, RoHS compliant.



UNLESS OTHERWISE SPECIFIED ALL DIMENSIONS ARE INCHES [MM] TOLERANCES: EXCEPT AS NOTED	
INCHES	HOLES
.X ± .10	Ø.X ± .10
.XX ± .020	Ø.XX ± .015
.XXX ± .015	Ø.XXX ± .010
APPROVALS	
DRAWN	DATE
SS	02/21/05
CHECKED	
APPROVED	

**ADAM TECH INTERCONNECTS**  
 909 Rahway Avenue,  
 Union, NJ 07083  
 Phone: 908-687-5000  
 Fax: 908-687-5710

TITLE PCI EXPRESS CARD CONNECTOR, 164 PIN, STRADDLE MOUNT, SELECTIVE GOLD		
SIZE X	PART NO. PCIE-164-SG-SM-HT	REV. B
REF: S00078T	SCALE: NTS	SHEET 1 OF 3



6

5

4

3

2

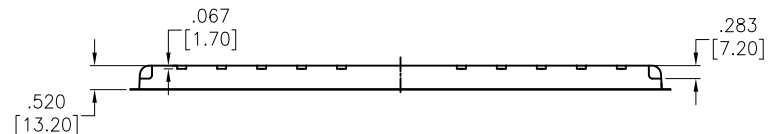
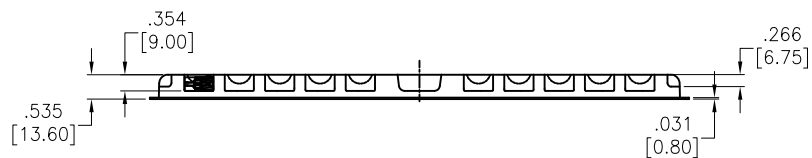
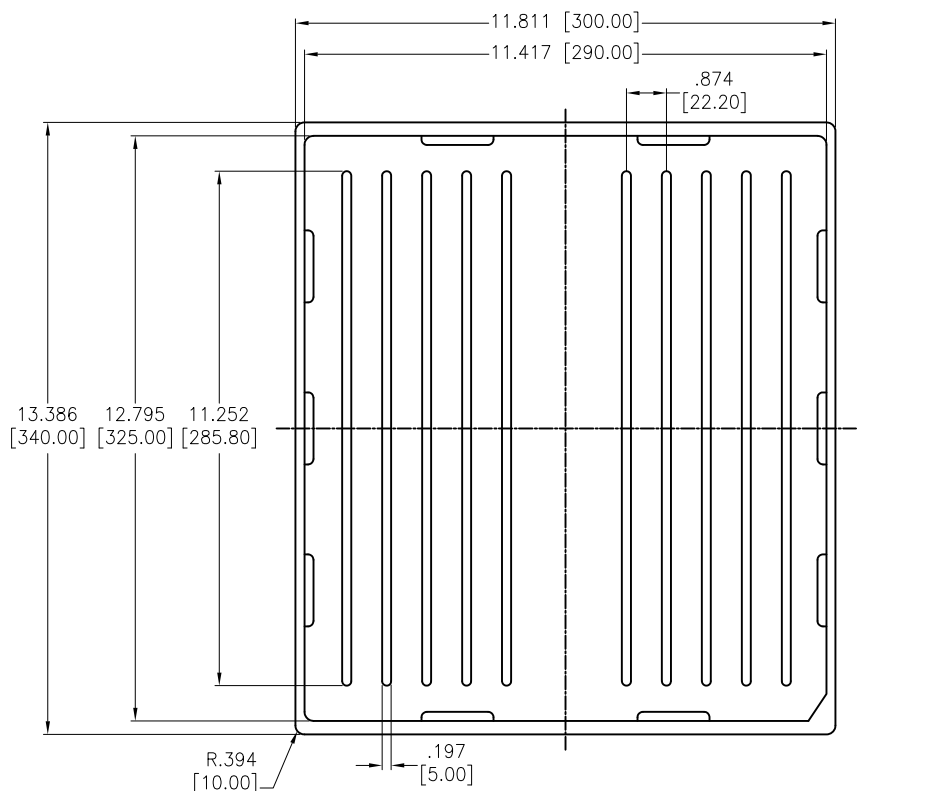
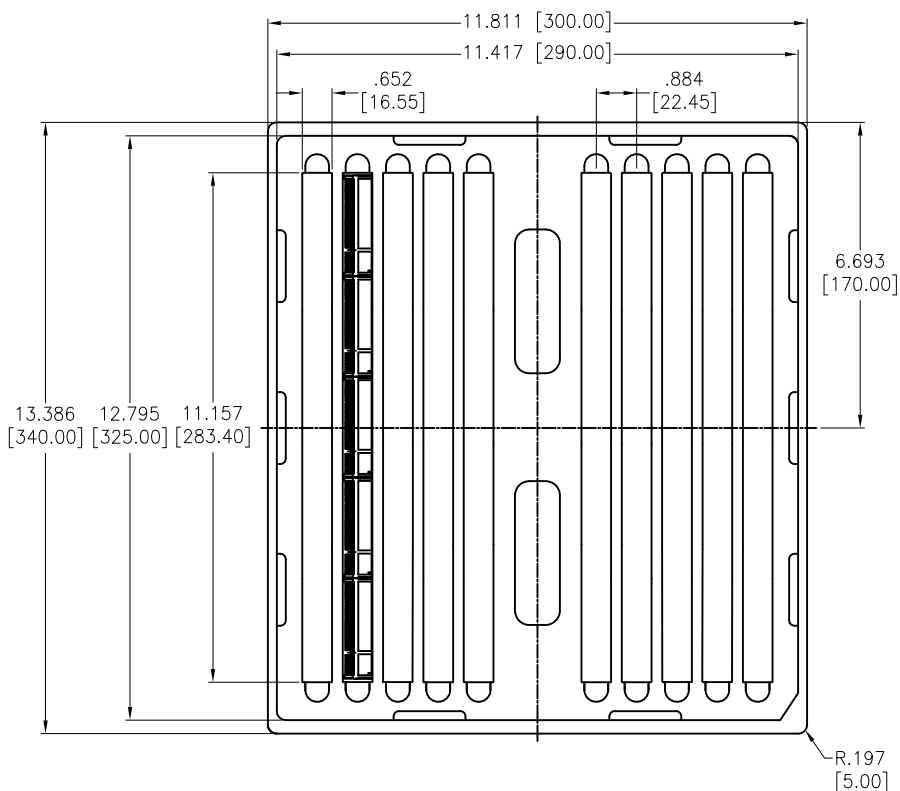
1

APPROVED: \_\_\_\_\_

DATE: \_\_\_\_\_ TITLE: \_\_\_\_\_

Rev	AWO #	Description	Date	Appr
-----	-------	-------------	------	------

SEE SHT 1 OF 3 FOR REVISION



UNLESS OTHERWISE SPECIFIED  
 ALL DIMENSIONS ARE INCHES [MM]  
 TOLERANCES: EXCEPT AS NOTED  
 INCHES HOLES  
 .X ± .10 Ø.X ± .10  
 .XX ± .020 Ø.XX ± .015  
 .XXX ± .015 Ø.XXX ± .010

**ADAM TECH**  
**INTERCONNECTS**  
 909 Rahway Avenue,  
 Union, NJ 07083  
 Phone: 908-687-5000  
 Fax: 908-687-5710

TITLE  
 PCI EXPRESS CARD CONNECTOR, 164 PIN,  
 STRADDLE MOUNT, SELECTIVE GOLD

APPROVALS		DATE
DRAWN	SS	02/21/05
CHECKED		
APPROVED		

SIZE X	PART NO. PCIE-164-SG-SM-HT	REV. B
REF: S00078T	SCALE: NTS	SHEET 3 OF 3

6

5

4

3

2

1

A

A