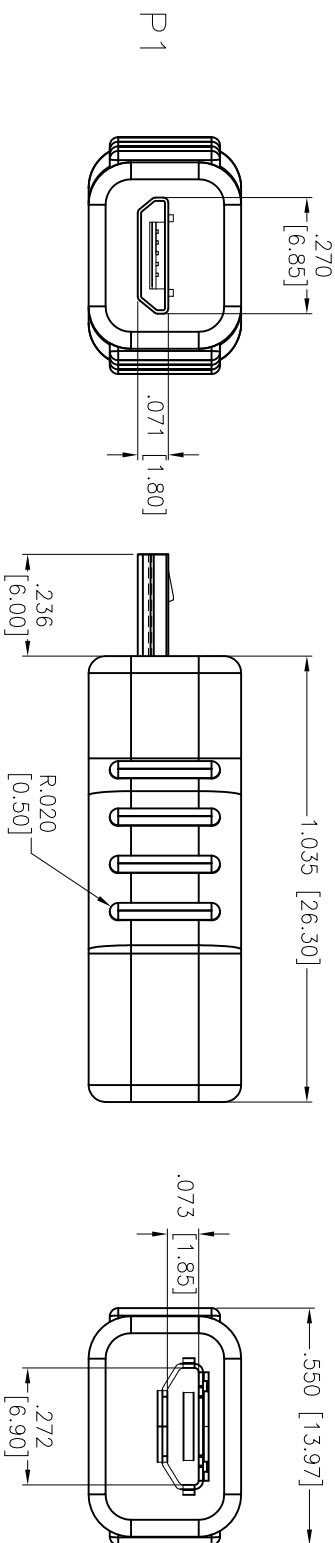
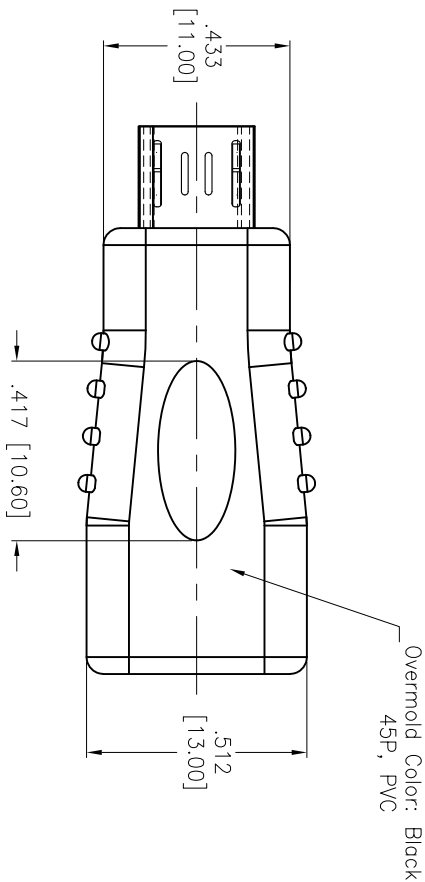


Rev	AWO #	Description	Date	Appr
-		RELEASED	12/9/14	

APPROVED: _____
 DATE: _____ TITLE: _____



SPECIFICATIONS:

Connector:
 P1 = Micro USB B Type, Male, Gold plated, Insulator Color: Black
 P2 = Micro USB B Type, Female, Nickel plated, Insulator Color: Black

Environmental:
 Lead free, RoHS compliant

UNLESS OTHERWISE SPECIFIED
 ALL DIMENSIONS ARE MM [INCHES]
 TOLERANCES: EXCEPT AS NOTED

INCHES	HOLDS
.X ± .10	ØX ± .10
.XX ± .020	ØXX ± .015
.XXX ± .015	ØXXX ± .010

APPROVALS

DATE	DATE
12/9/14	12/9/14

ADAM TECH
 909 Railway Avenue, Union, NJ 07083
 Phone: 908-687-5000 Fax: 908-687-5710

TITLE: GENDER CHANGER, MICRO USB B TYPE MALE TO MICRO USB B TYPE FEMALE

SIZE: X	PART NO.: GC-MCRBM-MCRBF	REV: -
REF: S00097C	SCALE: NTS	SHEET 1 OF 1