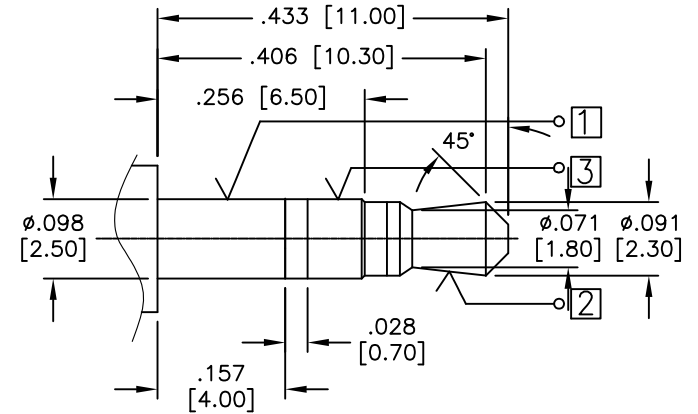
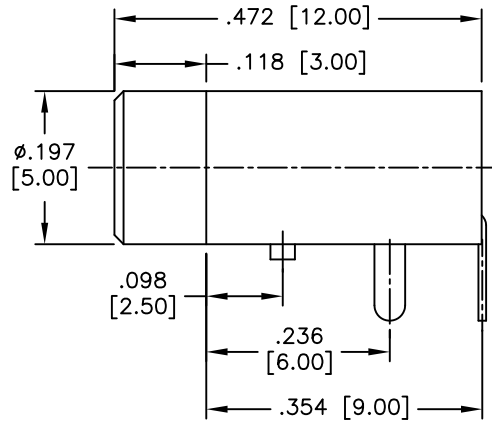
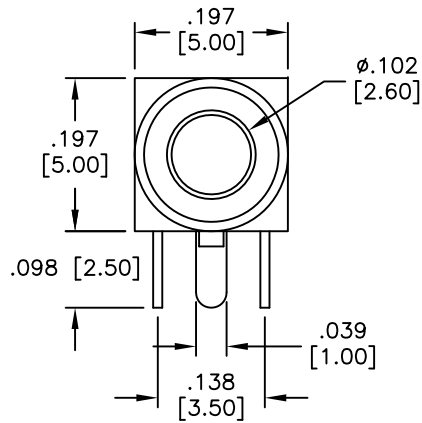
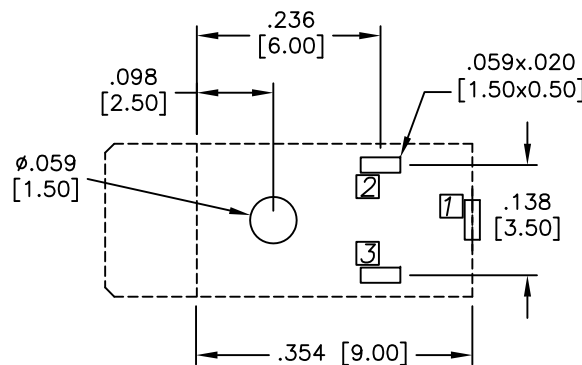
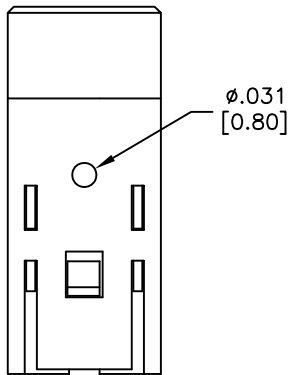


APPROVED: _____
 DATE: _____ TITLE: _____

Rev	AWO #	Description	Date	Appr
-		RELEASED	11/12/09	
A		REVISED DIM.	3/18/11	
B		UPDATE SPEC.	5/3/17	AY/RC



Matching Plug



RECOMMENDED PCB LAYOUT
(COPPER-SIDED VIEW)

PART NO.	ASJ-63A-3
SCHEMATIC	

SPECIFICATIONS:

Material:
 Insulator: PBT, rated UL 94V-0
 Insulator color: Black
 Contacts: Copper Alloy
 Plating:
 Silver over Copper underplate overall
 Electrical:
 Voltage rating: 30 VDC.
 Current rating: 0.5 Amp.
 Contact resistance: 30 mohms max.
 Insulation resistance: 100 Mohms min.
 Dielectric withstanding voltage: 500 VAC for 1 minute
 Temperature Rating:
 Operating temperature: -20°C to +70°C
 Environmental:
 Lead free, RoHS compliant.



UNLESS OTHERWISE SPECIFIED
 ALL DIMENSIONS ARE INCHES [MM]
 TOLERANCES: EXCEPT AS NOTED
 INCHES HOLES
 .X ±.10 Ø.X ±.10
 .XX ±.020 Ø.XX ±.015
 .XXX ±.015 Ø.XXX ±.010

ADAM TECH

909 Rahway Avenue, Union, NJ 07083
 Phone: 908-687-5000 Fax: 908-687-5710

APPROVALS		DATE
DRAWN	DY	11/12/09
CHECKED		
APPROVED		

TITLE		
2.5 PHONE JACK		
SIZE	PART NO.	REV.
X	ASJ-63A-3	B
REF: S00002C	SCALE: NTS	SHEET 1 OF 1