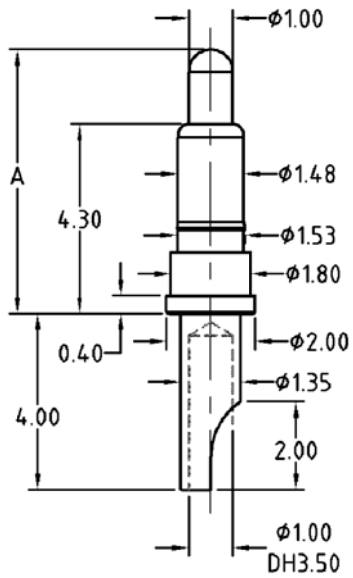


APPROVED: _____
 DATE: _____ TITLE: _____

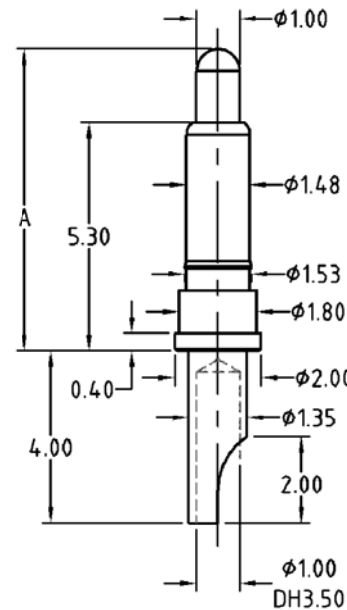
Rev	AWO #	Description	Date	Appr
-		RELEASED	3/30/16	
A		UPDATED SPEC.	6/20/16	HR/CK



ADAM P/N	Initial Height
PH-MVS-4355-C1	5.5mm
PH-MVS-4360-C1	6.0mm

Working Stroke	Spring Force
1.0mm	70g

Rated Current	Rated Voltage
3A Max	12V



ADAM P/N	Initial Height
PH-MVS-5365-C1	6.5mm
PH-MVS-5370-C1	7.0mm
PH-MVS-5375-C1	7.5mm
PH-MVS-5380-C1	8.0mm

Working Stroke	Spring Force
1.0mm	70g

Rated Current	Rated Voltage
3A Max	12V

SPECIFICATIONS:

Material:
 Plunger: Brass, Gold plated
 Barrel: Brass, Gold plated
 Spring: SUS Surface treatment
Electrical:
 Contact resistance: 20 mohms max
Mechanical:
 Full Stroke: 1.40mm
 Durability: 100,000 to 1,000,000 Cycles
 Temperature Rating:
 Operating temperature: -55°C to +125°C
Environmental:
 Lead free, RoHS compliant.



UNLESS OTHERWISE SPECIFIED
 ALL DIMENSIONS ARE MILLIMETERS
 TOLERANCES: EXCEPT AS NOTED
 HOLES
 MM
 .X ± .25
 .XX ± .15 Ø.XX ± .15
 .XXX ± .05

ADAM TECH

909 Rahway Avenue, Union, NJ 07083
 Phone: 908-687-5000 Fax: 908-687-5710

APPROVALS		DATE
DRAWN	HR	3/30/16
CHECKED	CK	3/30/16
APPROVED		

TITLE		
SOLDER CUP SPRING LOADED PIN, STRAIGHT		
SIZE	PART NO.	REV.
X	PH-MVS-XXXX-C1	A
REF:	S00170C	SCALE: NTS SHEET 1 OF 1