

6

5

4

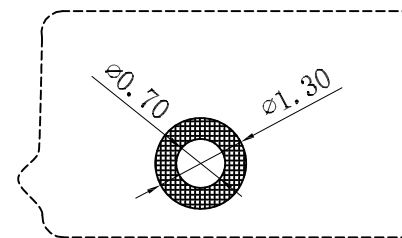
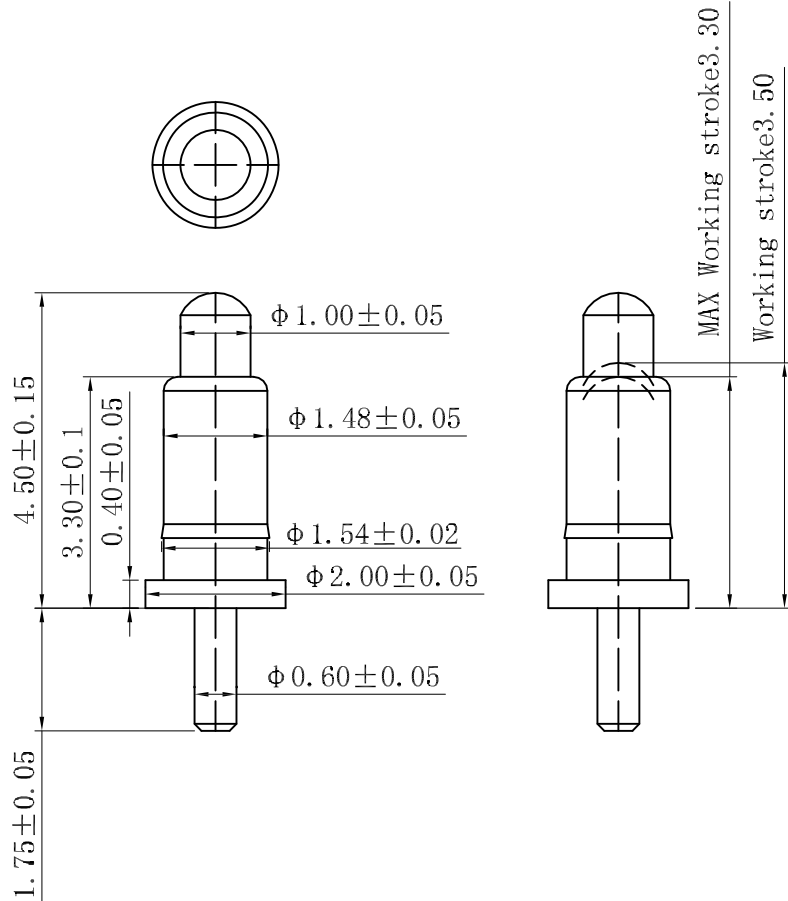
3

2

1

APPROVED: \_\_\_\_\_  
 DATE: \_\_\_\_\_ TITLE: \_\_\_\_\_

Rev	AWO #	Description	Date	Appr
-		RELEASED	5/30/18	
A		UPDATE DRAWING	11/5/20	LH/LL1



PCB LAYOUT

**SPECIFICATIONS:**

**Material:**  
 Contact: Lead Free Copper, 3u" Gold plated  
 Contact Solder Area: Lead Free Copper, 3u" Gold plated  
 Spring: SUS304  
**Electrical:**  
 Rated Voltage (per Contact): 12 Volts  
 Rated Current (per Contact): 1.0 A  
 Contact resistance: 20 mohms max  
**Mechanical:**  
 Working Stroke & Force: 1.0mm (per Contact) 90±20gf  
 Durability: 1,000,000 Cycles min  
 Temperature Rating:  
 Operating temperature: -30°C to +85°C  
**Environmental:**  
 Lead free, RoHS compliant.



UNLESS OTHERWISE SPECIFIED ALL DIMENSIONS ARE MILLIMETERS TOLERANCES: EXCEPT AS NOTED MM ANGLE X. ± 0.20 X' ± 2° .X ± 0.15 .X' ± 0.5° .XX ± 0.10		<b>ADAM TECH</b> 909 Rahway Avenue, Union, NJ 07083 Phone: 908-687-5000 Fax: 908-687-5710	
APPROVALS		DATE	
DRAWN	AY	5/30/18	
CHECKED	TW	5/30/18	
APPROVED			
TITLE DIP SPRING LOADED PIN, STRAIGHT			
SIZE X	PART NO. PH-MVP-3345-C1	REV. A	
REF: S00185C	SCALE: NTS	SHEET 1 OF 1	

6

5

4

3

2

1